

LENZ

ADAPTERS

CATALOG NO. AD-90



“Another quality product, Only from Lenz”

LENZ • P.O. BOX 1044 • DAYTON, OHIO 45401-1044 • PHONE: 937/277-9364 • FAX: 937/277-6516
OFFICE & FACTORY • 3301 KLEPINGER ROAD • DAYTON, OHIO 45406-1842
INTERNET: <http://www.lenzinc.com>

37° FLARE TUBE FITTINGS

T A P E R E D P I P E T H R E A D S

37° FLARE TUBE FITTINGS

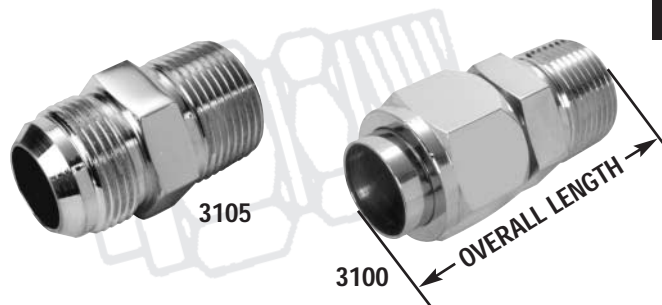
HOW TO ORDER 3-PIECE FLARE TUBE FITTING ASSEMBLIES

For complete 3 piece assemblies as shown use the part number shown in the tables. For body only, change the last number preceding the dash of part number from 0 to 5.
 Example: 3100-12 Male Connector Assembly becomes 3105-12 for Male Connector Body only. See "How to Order" inside front cover of this catalog.
 Note: When Ordering Lenz Fittings in Stainless Steel Add-SS to the Part Number. Example: 3105-12-12SS

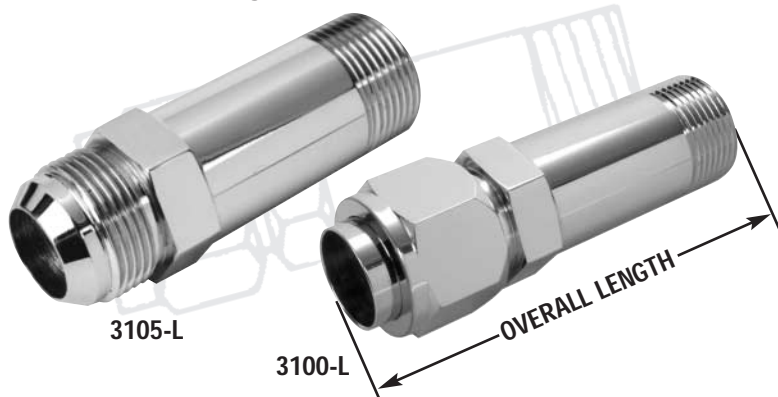
3105 / 3100 • Male Connector

Body Only Part No.	Complete Assem. Part No.	Tube O.D.	Male Pipe Thread	Overall Length
3105-2-2	3100-2-2	1/8"	1/8"	1 ¹³ / ₃₂ "
3105-3-2	3100-3-2	3/16"	1/8"	1 ¹ / ₂ "
3105-4-2	3100-4-2	1/4"	1/8"	1 ⁹ / ₁₆ "
3105-4-4	3100-4-4	1/4"	1/4"	1 ²⁵ / ₃₂ "
3105-4-6	3100-4-6	1/4"	3/8"	1 ¹³ / ₁₆ "
3105-5-2	3100-5-2	5/16"	1/8"	1 ⁵ / ₈ "
3105-5-4	3100-5-4	5/16"	1/4"	1 ¹³ / ₁₆ "
3105-6-4	3100-6-4	3/8"	1/4"	1 ²⁹ / ₃₂ "
3105-6-2	3100-6-2	3/8"	1/8"	1 ²³ / ₃₂ "
3105-6-6	3100-6-6	3/8"	3/8"	1 ²⁹ / ₃₂ "
3105-6-8	3100-6-8	3/8"	1/2"	2 ³ / ₃₂ "
3105-8-6	3100-8-6	1/2"	3/8"	2 ¹ / ₁₆ "
3105-8-4	3100-8-4	1/2"	1/4"	2 ¹ / ₁₆ "
3105-8-8	3100-8-8	1/2"	1/2"	2 ⁹ / ₃₂ "
3105-8-12	3100-8-12	1/2"	3/4"	2 ⁹ / ₃₂ "
3105-10-8	3100-10-8	5/8"	1/2"	2 ¹⁷ / ₃₂ "
3105-10-6	3100-10-6	5/8"	3/8"	2 ¹¹ / ₃₂ "
3105-10-12	3100-10-12	5/8"	3/4"	2 ⁹ / ₁₆ "
3105-12-12	3100-12-12	3/4"	3/4"	2 ²¹ / ₃₂ "
3105-12-6	3100-12-6	3/4"	3/8"	2 ¹⁵ / ₃₂ "
3105-12-8	3100-12-8	3/4"	1/2"	2 ²¹ / ₃₂ "
3105-12-16	3100-12-16	3/4"	1"	2 ²⁷ / ₃₂ "
3105-14-12	3100-14-12	7/8"	3/4"	2 ¹³ / ₁₆ "
3105-14-16	3100-14-16	7/8"	1"	3"
3105-16-16	3100-16-16	1"	1"	3 ¹ / ₁₆ "
3105-16-12	3100-16-12	1"	3/4"	2 ⁷ / ₈ "
3105-16-20	3100-16-20	1"	1 ¹ / ₄ "	3 ⁵ / ₃₂ "
3105-20-20	3100-20-20	1 ¹ / ₄ "	1 ¹ / ₄ "	3 ⁵ / ₁₆ "
3105-20-16	3100-20-16	1 ¹ / ₄ "	1"	3 ⁹ / ₃₂ "
3105-20-24	3100-20-24	1 ¹ / ₄ "	1 ¹ / ₂ "	3 ¹¹ / ₃₂ "
3105-24-24	3100-24-24	1 ¹ / ₂ "	1 ¹ / ₂ "	3 ²⁵ / ₃₂ "
3105-24-20	3100-24-20	1 ¹ / ₂ "	1 ¹ / ₄ "	3 ³ / ₄ "
3105-32-32	3100-32-32	2"	2"	4 ¹ / ₄ "
3105-32-24	3100-32-24	2"	1 ¹ / ₂ "	4 ³ / ₁₆ "

3105 / 3100 MALE CONNECTOR FLARE TUBE END-MALE PIPE END



3105-L / 3100-L LONG MALE CONNECTOR FLARE TUBE END-MALE PIPE END



3105-L / 3100-L • Long Male Connector

Body Only Part No.	Complete Assem. Part No.	Tube O.D.	Male Pipe Thread	Overall Length
3105L-4-2	3100L-4-2	1/4"	1/8"	2 ³ / ₁₆ "
3105L-5-2	3100L-5-2	5/16"	1/8"	2 ¹¹ / ₃₂ "
3105L-6-4	3100L-6-4	3/8"	1/4"	2 ²³ / ₃₂ "
3105L-8-6	3100L-8-6	1/2"	3/8"	3 ⁹ / ₃₂ "
3105L-10-8	3100L-10-8	5/8"	1/2"	3 ³ / ₄ "
3105L-12-12	3100L-12-12	3/4"	3/4"	4 ³ / ₃₂ "
3105L-14-12	3100L-14-12	7/8"	3/4"	4 ¹⁵ / ₃₂ "
3105L-16-16	3100L-16-16	1"	1"	4 ²⁵ / ₃₂ "
3105L-20-20	3100L-20-20	1 ¹ / ₄ "	1 ¹ / ₄ "	5 ¹¹ / ₃₂ "

3105-LL / 3100-LL EXTRA LONG MALE CONNECTOR FLARE TUBE END-MALE PIPE END



3105-LL / 3100-LL • Extra Long Male Connector

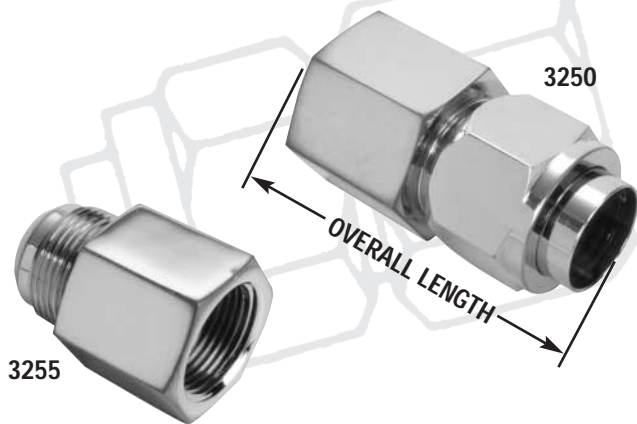
Body Only Part No.	Complete Assem. Part No.	Tube O.D.	Male Pipe Thread	Overall Length
3105LL-4-2	3100LL-4-2	1/4"	1/8"	2 ¹⁵ / ₁₆ "
3105LL-5-2	3100LL-5-2	5/16"	1/8"	3 ⁷ / ₃₂ "
3105LL-6-4	3100LL-6-4	3/8"	1/4"	3 ²³ / ₃₂ "
3105LL-8-6	3100LL-8-6	1/2"	3/8"	4 ¹⁷ / ₃₂ "
3105LL-10-8	3100LL-10-8	5/8"	1/2"	5"
3105LL-12-12	3100LL-12-12	3/4"	3/4"	5 ¹⁹ / ₃₂ "
3105LL-14-12	3100LL-14-12	7/8"	3/4"	6 ³ / ₃₂ "
3105LL-16-16	3100LL-16-16	1"	1"	6 ¹⁷ / ₃₂ "
3105LL-20-20	3100LL-20-20	1 ¹ / ₄ "	1 ¹ / ₄ "	7 ¹¹ / ₃₂ "

LENZ • P.O. BOX 1044 • DAYTON, OHIO 45401-1044 • PHONE: 937/277-9364 • FAX: 937/277-6516
 OFFICE & FACTORY • 3301 KLEPINGER ROAD • DAYTON, OHIO 45406-1842
 INTERNET: <http://www.lenzinc.com>

37° FLARE TUBE FITTINGS

T A P E R E D P I P E T H R E A D

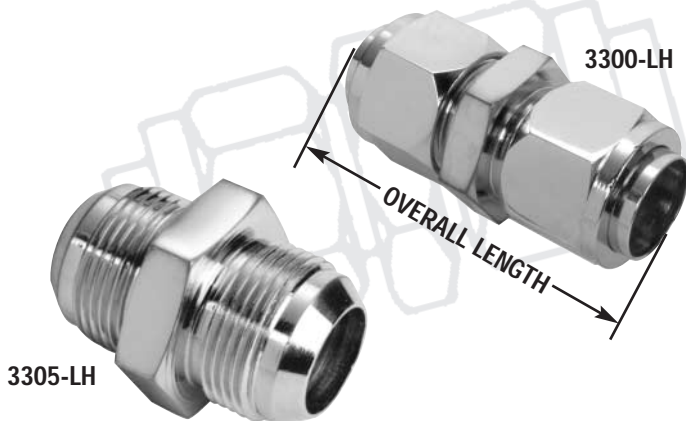
3255 / 3250
FEMALE CONNECTOR-FLARE TUBE END-
FEMALE PIPE END



3255 / 3250 • Female Connector

Body Only Part No.	Complete Assem. Part No.	Tube O.D.	Female Pipe Thread	Overall Length
3255-2-2	3250-2-2	1/8"	1/8"	113/32"
3255-3-2	3250-3-2	3/16"	1/8"	17/16"
3255-4-2	3250-4-2	1/4"	1/8"	19/16"
3255-4-4	3250-4-4	1/4"	1/4"	13/4"
3255-5-2	3250-5-2	5/16"	1/8"	119/32"
3255-5-4	3250-5-4	5/16"	1/4"	13/4"
3255-6-4	3250-6-4	3/8"	1/4"	125/32"
3255-6-2	3250-6-2	3/8"	1/8"	121/32"
3255-6-6	3250-6-6	3/8"	3/8"	17/8"
3255-8-6	3250-8-6	1/2"	3/8"	21/16"
3255-8-4	3250-8-4	1/2"	1/4"	21/16"
3255-8-8	3250-8-8	1/2"	1/2"	29/32"
3255-10-8	3250-10-8	5/8"	1/2"	27/16"
3255-10-6	3250-10-6	5/8"	3/8"	21/4"
3255-12-12	3250-12-12	3/4"	3/4"	219/32"
3255-12-8	3250-12-8	3/4"	1/2"	217/32"
3255-14-12	3250-14-12	7/8"	3/4"	223/32"
3255-16-16	3250-16-16	1"	1"	3"
3255-16-12	3250-16-12	1"	3/4"	213/16"
3255-20-20	3250-20-20	1 1/4"	1 1/4"	33/16"
3255-24-24	3250-24-24	1 1/2"	1 1/2"	317/32"
3255-32-32	3250-32-32	2"	2"	329/32"

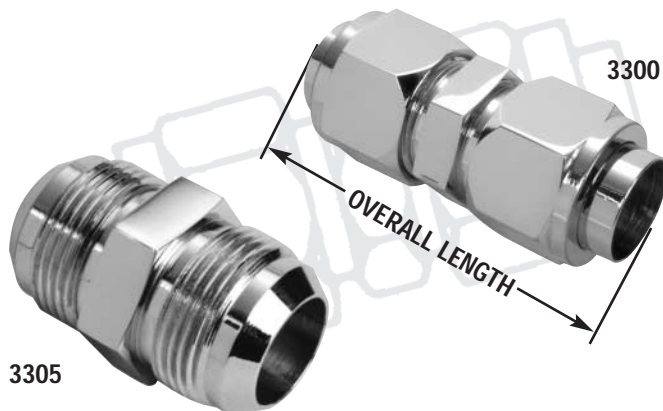
3305-LH / 3300-LH
LARGE HEX UNION
FLARE TUBE END-FLARE TUBE END



3305-LH / 3300-LH • Large Hex Union

Body Only Part No.	Complete Assem. Part No.	Tube O.D.	Body Hex	Overall Length
3305LH-4	3300LH-4	1/4"	1 1/16"	2 1/8"
3305LH-5	3300LH-5	5/16"	3/4"	23/16"
3305LH-6	3300LH-6	3/8"	13/16"	211/32"
3305LH-8	3300LH-8	1/2"	1"	211/16"
3305LH-10	3300LH-10	5/8"	1 1/8"	33/16"
3305LH-12	3300LH-12	3/4"	1 3/8"	33/8"
3305LH-16	3300LH-16	1"	1 5/8"	325/32"
3305LH-20	3300LH-20	1 1/4"	1 7/8"	4 1/8"

3305 / 3300
UNION FLARE TUBE END-
FLARE TUBE END



3305 / 3300 • Union

Body Only Part No.	Complete Assem. Part No.	Tube O.D. Part No.	Overall Length
3305-4-4	3300-4-4	1/4"	2 1/8"
3305-5-5	3300-5-5	5/16"	23/16"
3305-6-6	3300-6-6	3/8"	2 11/32"
3305-8-8	3300-8-8	1/2"	2 11/16"
3305-10-10	3300-10-10	5/8"	33/16"
3305-12-12	3300-12-12	3/4"	33/8"
3305-14-14	3300-14-14	7/8"	35/8"
3305-16-16	3300-16-16	1"	325/32"
3305-20-20	3300-20-20	1 1/4"	4 1/8"
3305-24-24	3300-24-24	1 1/2"	4 15/16"
3305-32-32	3300-32-32	2"	5 5/8"

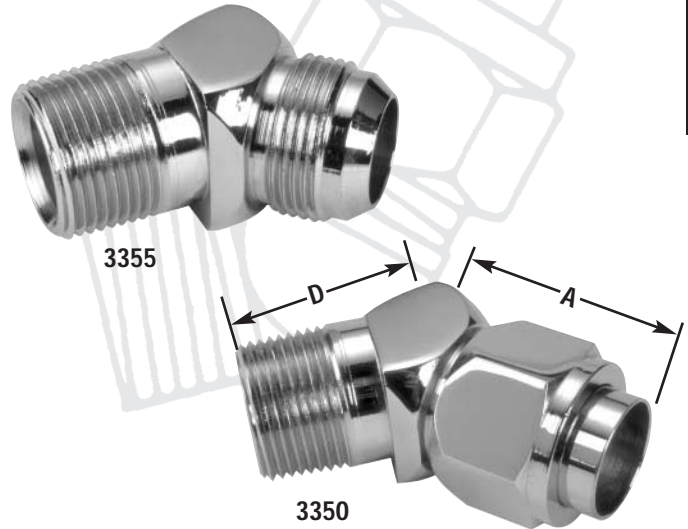
37° FLARE TUBE FITTINGS

T A P E R E D P I P E T H R E A D

3355 / 3350 • Male 45° Elbow

Body Only Part No.	Complete Assembly Part No.	Tube O.D.	Male Pipe Thread	"A" Tube Leg	"D" Male Pipe Leg
3355-2-2	3350-2-2	1/8"	1/8"	31/32"	17/32"
3355-3-2	3350-3-2	3/16"	1/8"	11/32"	17/32"
3355-4-2	3350-4-2	1/4"	1/8"	13/32"	5/8"
3355-4-4	3350-4-4	1/4"	1/4"	15/32"	27/32"
3355-5-2	3350-5-2	5/16"	1/8"	15/32"	5/8"
3355-5-4	3350-5-4	5/16"	1/4"	17/32"	27/32"
3355-6-4	3350-6-4	3/8"	1/4"	19/32"	27/32"
3355-6-2	3350-6-2	3/8"	1/8"	19/32"	11/16"
3355-6-6	3350-6-6	3/8"	3/8"	13/8"	15/16"
3355-6-8	3350-6-8	3/8"	1/2"	11/2"	15/32"
3355-8-6	3350-8-6	1/2"	3/8"	11/2"	15/16"
3355-8-4	3350-8-4	1/2"	1/4"	11/2"	15/16"
3355-8-8	3350-8-8	1/2"	1/2"	19/16"	15/32"
3355-8-12	3350-8-12	1/2"	3/4"	15/8"	13/16"
3355-10-8	3350-10-8	5/8"	1/2"	123/32"	15/32"
3355-10-6	3350-10-6	5/8"	3/8"	123/32"	31/32"
3355-10-12	3350-10-12	5/8"	3/4"	125/32"	13/16"
3355-12-12	3350-12-12	3/4"	3/4"	17/8"	13/16"
3355-12-8	3350-12-8	3/4"	1/2"	17/8"	17/32"
3355-14-12	3350-14-12	7/8"	3/4"	23/32"	11/4"
3355-16-16	3350-16-16	1"	1"	27/32"	115/32"
3355-16-12	3350-16-12	1"	3/4"	27/32"	11/4"
3355-20-20	3350-20-20	1 1/4"	1 1/4"	27/16"	121/32"
3355-24-24	3350-24-24	1 1/2"	1 1/2"	27/8"	13/4"
3355-32-32	3350-32-32	2"	2"	311/32"	23/32"

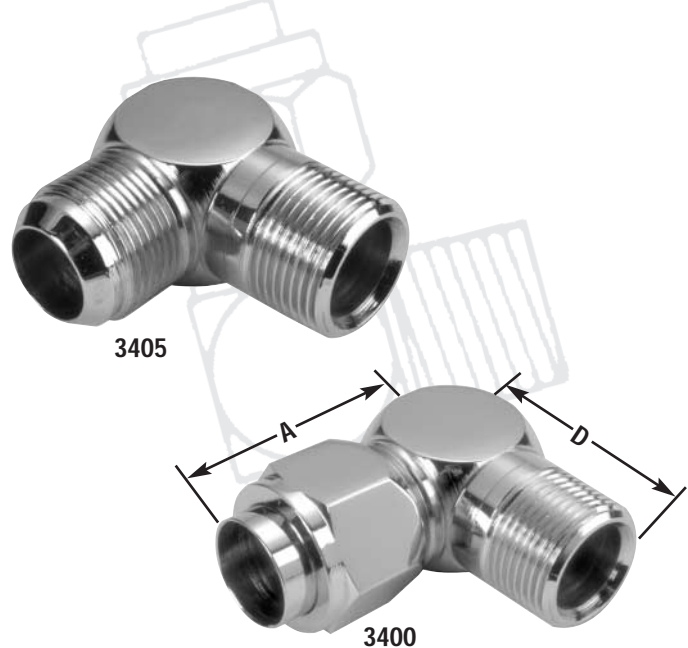
3355 / 3350
MALE 45° ELBOW
FLARE TUBE END-MALE PIPE END
 Example of Part No.: 3350-12 for 3/4" O.D. Tubing



3405 / 3400 • Male Elbow

Body Only Part No.	Complete Assembly Part No.	Tube O.D.	Male Pipe Thread	"A" Tube Leg	"D" Male Pipe Leg
3405-2-2	3400-2-2	1/8"	1/8"	13/32"	23/32"
3405-3-2	3400-3-2	3/16"	1/8"	15/32"	23/32"
3405-4-2	3400-4-2	1/4"	1/8"	19/32"	25/32"
3405-4-4	3400-4-4	1/4"	1/4"	113/32"	13/32"
3405-4-6	3400-4-6	1/4"	3/8"	115/32"	17/32"
3405-5-2	3400-5-2	5/16"	1/8"	13/8"	25/32"
3405-5-4	3400-5-4	5/16"	1/4"	17/16"	13/32"
3405-6-4	3400-6-4	3/8"	1/4"	117/32"	13/32"
3405-6-2	3400-6-2	3/8"	1/8"	117/32"	7/8"
3405-6-6	3400-6-6	3/8"	3/8"	121/32"	17/32"
3405-6-8	3400-6-8	3/8"	1/2"	123/32"	115/32"
3405-8-6	3400-8-6	1/2"	3/8"	125/32"	17/32"
3405-8-4	3400-8-4	1/2"	1/4"	125/32"	15/32"
3405-8-8	3400-8-8	1/2"	1/2"	115/16"	115/32"
3405-8-12	3400-8-12	1/2"	3/4"	21/32"	19/16"
3405-10-8	3400-10-8	5/8"	1/2"	23/32"	115/32"
3405-10-6	3400-10-6	5/8"	3/8"	23/32"	13/8"
3405-10-12	3400-10-12	5/8"	3/4"	27/32"	119/32"
3405-12-12	3400-12-12	3/4"	3/4"	21/4"	119/32"
3405-12-8	3400-12-8	3/4"	1/2"	21/4"	19/16"
3405-12-16	3400-12-16	3/4"	1"	27/16"	131/32"
3405-14-12	3400-14-12	7/8"	3/4"	27/16"	111/16"
3405-16-16	3400-16-16	1"	1"	219/32"	131/32"
3405-16-12	3400-16-12	1"	3/4"	219/32"	123/32"
3405-16-20	3400-16-20	1"	1 1/4"	215/16"	23/8"
3405-20-20	3400-20-20	1 1/4"	1 1/4"	229/32"	23/8"
3405-20-16	3400-20-16	1 1/4"	1"	229/32"	23/8"
3405-20-24	3400-20-24	1 1/4"	1 1/2"	31/32"	25/8"
3405-24-24	3400-24-24	1 1/2"	1 1/2"	37/16"	25/8"
3405-24-20	3400-24-20	1 1/2"	1 1/4"	37/16"	25/8"
3405-32-32	3400-32-32	2"	2"	43/16"	3"
3405-32-24	3400-32-24	2"	1 1/2"	43/16"	3"

3405 / 3400
MALE ELBOW
FLARE TUBE END-MALE PIPE END
 Example of Part No.: 3400-12 for 3/4" O.D. Tubing



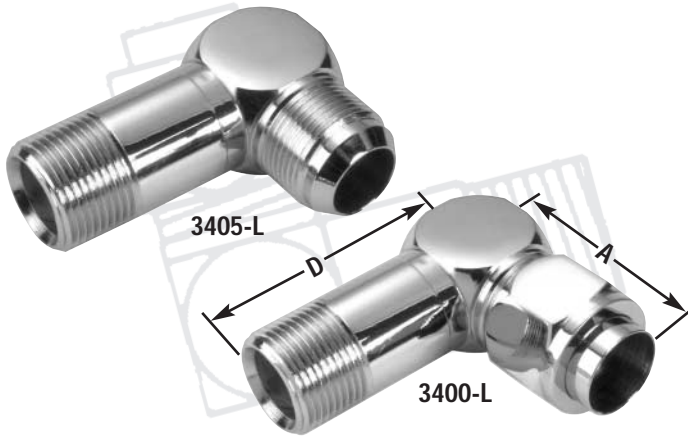
For body only, change the last number preceding the dash of part number from 0 to 5. Example: 3100-12-12 becomes 3105-12-12.

LENZ • P.O. BOX 1044 • DAYTON, OHIO 45401-1044 • PHONE: 937/277-9364 • FAX: 937/277-6516
 OFFICE & FACTORY • 3301 KLEPINGER ROAD • DAYTON, OHIO 45406-1842
 INTERNET: <http://www.lenzinc.com>

37° FLARE TUBE FITTINGS

T A P E R E D P I P E T H R E A D

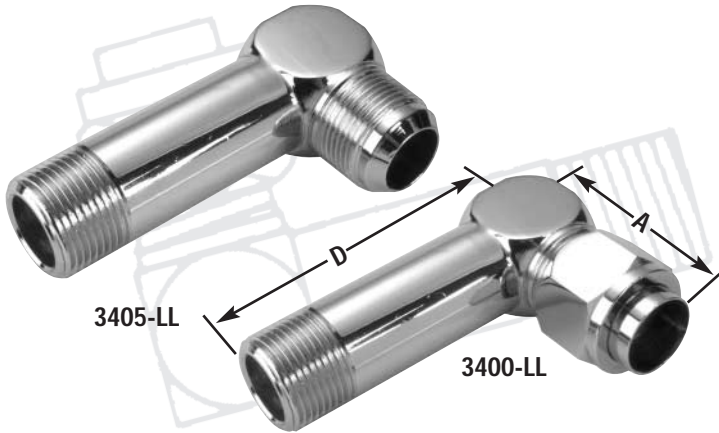
**3405-L / 3400-L
LONG MALE ELBOW
FLARE TUBE END-MALE PIPE END**



3405-L / 3400-L • Long Male Elbow

Body Only Part No.	Complete Assem. Part No.	Tube O.D.	Male Pipe Thread	"A" (Tube Leg)	"D" (Male Pipe Leg)
3405L-4-2	3400L-4-2	1/4"	1/8"	19/32"	13/16"
3405L-4-4	3400L-4-4	1/4"	1/4"	1 ¹³ /32"	1 ²¹ /32"
3405L-5-2	3400L-5-2	5/16"	1/8"	13/8"	17/32"
3405L-5-4	3400L-5-4	5/16"	1/4"	17/16"	1 ²¹ /32"
3405L-6-4	3400L-6-4	3/8"	1/4"	1 ¹⁷ /32"	1 ²¹ /32"
3405L-6-6	3400L-6-6	3/8"	3/8"	1 ²¹ /32"	1 ¹³ /16"
3405L-8-6	3400L-8-6	1/2"	3/8"	1 ²⁵ /32"	1 ¹³ /16"
3405L-8-8	3400L-8-8	1/2"	1/2"	1 ¹⁵ /16"	2 ⁷ /32"
3405L-8-12	3400L-8-12	1/2"	3/4"	2 ¹ /32"	2 ¹⁵ /32"
3405L-10-8	3400L-10-8	5/8"	1/2"	2 ³ /32"	2 ⁷ /32"
3405L-12-12	3400L-12-12	3/4"	3/4"	2 ¹ /4"	2 ¹⁵ /32"
3405L-14-12	3400L-14-12	7/8"	3/4"	2 ⁷ /16"	2 ³ /4"
3405L-16-16	3400L-16-16	1"	1"	2 ¹⁹ /32"	3 ¹ /16"
3405L-20-20	3400L-20-20	1 1/4"	1 1/4"	2 ²⁹ /32"	3 ¹⁹ /32"

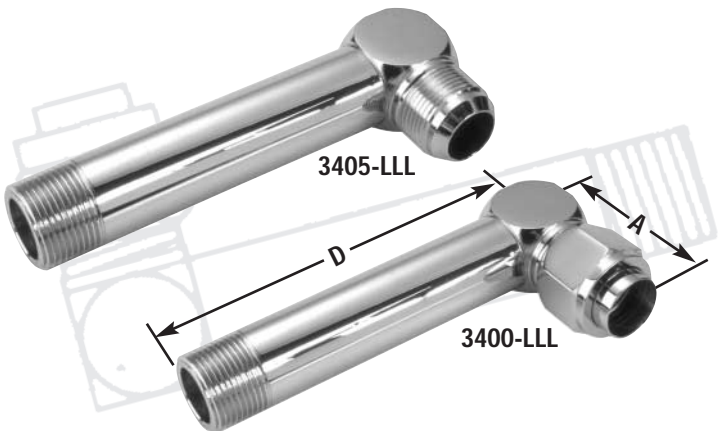
**3405-LL / 3400-LL
EXTRA LONG MALE ELBOW
FLARE TUBE END-MALE PIPE END**



3405-LL / 3400-LL • Long Male Elbow

Body Only Part No.	Complete Assem. Part No.	Tube O.D.	Male Pipe Thread	"A" (Tube Leg)	"D" (Male Pipe Leg)
3405LL-4-2	3400LL-4-2	1/4"	1/8"	19/32"	1 ⁹ /32"
3405LL-4-4	3400LL-4-4	1/4"	1/4"	1 ¹³ /32"	2 ¹ /8"
3405LL-5-2	3400LL-5-2	5/16"	1/8"	13/8"	1 ²¹ /32"
3405LL-5-4	3400LL-5-4	5/16"	1/4"	17/16"	2 ¹ /8"
3405LL-6-4	3400LL-6-4	3/8"	1/4"	1 ¹⁷ /32"	2 ¹ /8"
3405LL-6-6	3400LL-6-6	3/8"	3/8"	1 ²¹ /32"	2 ¹³ /32"
3405LL-8-6	3400LL-8-6	1/2"	3/8"	1 ²⁵ /32"	2 ¹³ /32"
3405LL-8-8	3400LL-8-8	1/2"	1/2"	1 ¹⁵ /16"	2 ⁷ /8"
3405LL-10-8	3400LL-10-8	5/8"	1/2"	2 ³ /32"	2 ⁷ /8"
3405LL-12-12	3400LL-12-12	3/4"	3/4"	2 ¹ /4"	3 ⁵ /32"
3405LL-14-12	3400LL-14-12	7/8"	3/4"	2 ⁷ /16"	3 ³ /8"
3405LL-16-16	3400LL-16-16	1"	1"	2 ¹⁹ /32"	4 ¹ /8"
3405LL-20-20	3400LL-20-20	1 1/4"	1 1/4"	2 ²⁹ /32"	4 ¹³ /16"

**3405-LLL / 3400-LLL
EXTRA LONG-LONG MALE ELBOW
FLARE TUBE END-MALE PIPE END**



3405-LLL / 3400-LLL • Long Male Elbow

Body Only Part No.	Complete Assem. Part No.	Tube O.D.	Male Pipe Thread	"A" (Tube Leg)	"D" (Male Pipe Leg)
3405LLL-4-2	3400LLL-4-2	1/4"	1/8"	19/32"	2 ⁷ /16"
3405LLL-5-2	3400LLL-5-2	5/16"	1/8"	13/8"	2 ¹⁵ /32"
3405LLL-6-4	3400LLL-6-4	3/8"	1/4"	1 ¹⁷ /32"	3 ⁵ /32"
3405LLL-8-6	3400LLL-8-6	1/2"	3/8"	1 ²⁵ /32"	3 ¹⁹ /32"
3405LLL-10-8	3400LLL-10-8	5/8"	1/2"	2 ³ /32"	4 ⁵ /16"
3405LLL-12-12	3400LLL-12-12	3/4"	3/4"	2 ¹ /4"	4 ²³ /32"
3405LLL-14-12	3400LLL-14-12	7/8"	3/4"	2 ⁷ /16"	5 ¹ /16"
3405LLL-16-16	3400LLL-16-16	1"	1"	2 ¹⁹ /32"	6 ⁵ /16"
3405LLL-20-20	3400LLL-20-20	1 1/4"	1 1/4"	2 ²⁹ /32"	7 ¹ /4"

Note: 3400LL Elbows Will Turn Above 3400 Elbows and 3400-LLL Elbows Will Turn Above 3400-LL Elbows.

For body only, change the last number preceding the dash of part number from 0 to 5. Example: 3100-12-12 becomes 3105-12-12.

37° FLARE TUBE FITTINGS

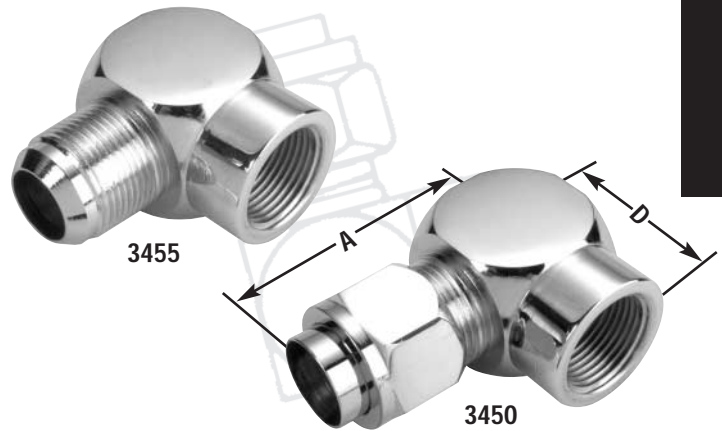
T A P E R E D P I P E T H R E A D

37° FLARE TUBE FITTINGS

3455 / 3450 • Female Elbow

Body Only Part No.	Complete Assem. Part No.	Tube O.D.	Female Pipe Thread	"A" (Tube Leg)	"D" (Female Pipe Leg)
3455-4-2	3450-4-2	1/4"	1/8"	17/16"	21/32"
3455-4-4	3450-4-4	1/4"	1/4"	19/16"	29/32"
3455-5-2	3450-5-2	5/16"	1/8"	115/32"	21/32"
3455-5-4	3450-5-4	5/16"	1/4"	119/32"	29/32"
3455-6-4	3450-6-4	3/8"	1/4"	111/16"	29/32"
3455-6-2	3450-6-2	3/8"	1/8"	117/32"	21/32"
3455-6-6	3450-6-6	3/8"	3/8"	125/32"	1"
3455-8-6	3450-8-6	1/2"	3/8"	115/16"	1"
3455-8-4	3450-8-4	1/2"	1/4"	127/32"	29/32"
3455-8-8	3450-8-8	1/2"	1/2"	131/32"	11/4"
3455-10-8	3450-10-8	5/8"	1/2"	21/4"	11/4"
3455-10-6	3450-10-6	5/8"	3/8"	25/32"	1"
3455-12-12	3450-12-12	3/4"	3/4"	215/32"	111/32"
3455-12-8	3450-12-8	3/4"	1/2"	21/4"	11/4"
3455-14-12	3450-14-12	7/8"	3/4"	29/16"	111/32"
3455-16-16	3450-16-16	1"	1"	215/16"	15/8"
3455-16-12	3450-16-12	1"	3/4"	219/32"	111/32"
3455-20-20	3450-20-20	1 1/4"	1 1/4"	35/32"	111/16"
3455-20-16	3450-20-16	1 1/4"	1"	229/32"	15/8"
3455-24-24	3450-24-24	1 1/2"	1 1/2"	331/32"	21/16"
3455-32-32	3450-32-32	2"	2"	413/32"	23/8"

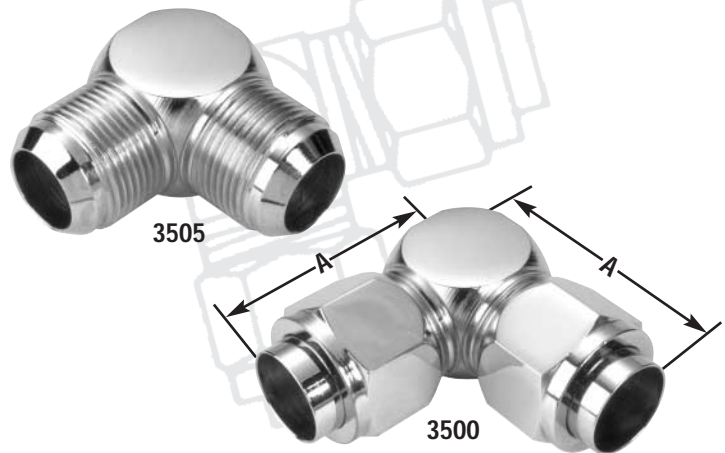
3455 / 3450 FEMALE ELBOW FLARE TUBE END - FEMALE PIPE END



3505 / 3500 • Elbow Union

Body Only Part No.	Complete Assem. Part No.	Tube O.D.	"A" (Tube Leg)
3505-4	3500-4	1/4"	19/32"
3505-5	3500-5	5/16"	13/8"
3505-6	3500-6	3/8"	117/32"
3505-8	3500-8	1/2"	125/32"
3505-10	3500-10	5/8"	23/32"
3505-12	3500-12	3/4"	21/4"
3505-14	3500-14	7/8"	27/16"
3505-16	3500-16	1"	219/32"
3505-20	3500-20	1 1/4"	229/32"
3505-24	3500-24	1 1/2"	37/16"
3505-32	3500-32	2"	43/16"

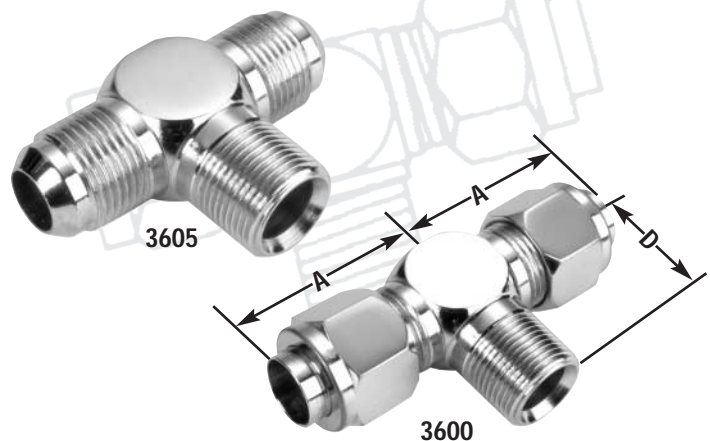
3505 / 3500 ELBOW UNION FLARE TUBE END - BOTH OPENINGS



3605 / 3600 • Male Branch Tee

Body Only Part No.	Complete Assem. Part No.	Tube O.D.	Male Pipe Thread	"A" (Tube Leg)	"D" (Male Pipe Leg)
3605-4-4-2	3600-4-4-2	1/4"	1/8"	19/32"	25/32"
3605-4-4-4	3600-4-4-4	1/4"	1/4"	113/32"	13/32"
3605-5-5-2	3600-5-5-2	5/16"	1/8"	13/8"	25/32"
3605-5-5-4	3600-5-5-4	5/16"	1/4"	17/16"	13/32"
3605-6-6-4	3600-6-6-4	3/8"	1/4"	117/32"	13/32"
3605-6-6-2	3600-6-6-2	3/8"	1/8"	117/32"	7/8"
3605-6-6-6	3600-6-6-6	3/8"	3/8"	121/32"	17/32"
3605-6-6-8	3600-6-6-8	3/8"	1/2"	123/32"	115/32"
3605-8-8-6	3600-8-8-6	1/2"	3/8"	125/32"	17/32"
3605-8-8-4	3600-8-8-4	1/2"	1/4"	125/32"	15/32"
3605-8-8-8	3600-8-8-8	1/2"	1/2"	115/16"	115/32"
3605-8-8-12	3600-8-8-12	1/2"	3/4"	21/32"	19/16"
3605-10-10-8	3600-10-10-8	5/8"	1/2"	23/32"	115/32"
3605-10-10-6	3600-10-10-6	5/8"	3/8"	23/32"	13/8"
3605-10-10-12	3600-10-10-12	5/8"	3/4"	27/32"	119/32"
3605-12-12-12	3600-12-12-12	3/4"	3/4"	21/4"	119/32"
3605-12-12-8	3600-12-12-8	3/4"	1/2"	21/4"	19/16"
3605-14-14-12	3600-14-14-12	7/8"	3/4"	27/16"	111/16"
3605-16-16-16	3600-16-16-16	1"	1"	219/32"	131/32"
3605-16-16-12	3600-16-16-12	1"	3/4"	219/32"	123/32"
3605-20-20-20	3600-20-20-20	1 1/4"	1 1/4"	229/32"	23/8"
3605-24-24-24	3600-24-24-24	1 1/2"	1 1/2"	37/16"	25/8"
3605-32-32-32	3600-32-32-32	2"	2"	43/16"	3"

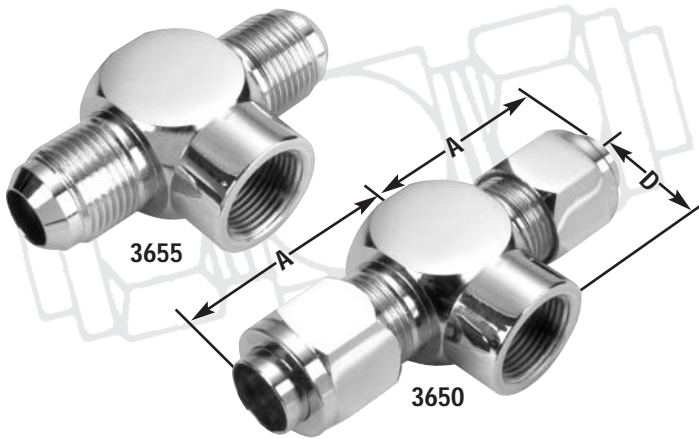
3605 / 3600 MALE BRANCH TEE FLARE TUBE TWO ENDS - MALE PIPE SIDE OUTLET



37° FLARE TUBE FITTINGS

T A P E R E D P I P E T H R E A D

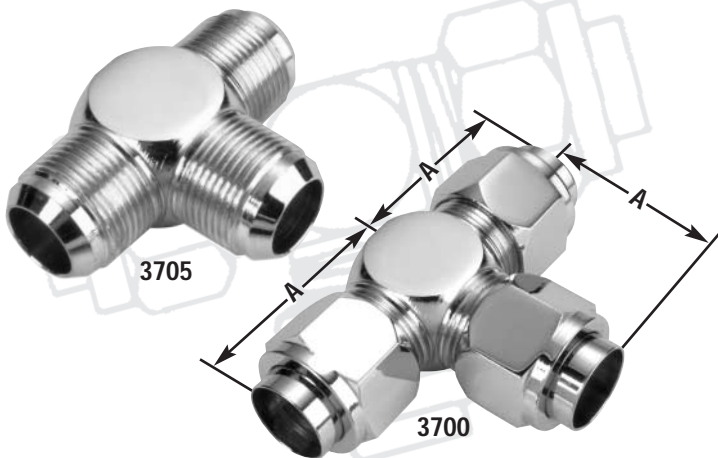
3655 / 3650 - FEMALE BRANCH TEE FLARE TUBE TWO ENDS FEMALE PIPE SIDE OUTLET



3655 / 3650 • Female Branch Tee

Body Only Part No.	Complete Assem. Part No.	Tube O.D.	Female Pipe Thread	"A" (Tube Leg)	"D" (Female Pipe Leg)
3655-4-4-2	3650-4-4-2	1/4"	1/8"	17/16"	21/32"
3655-4-4-4	3650-4-4-4	1/4"	1/4"	19/16"	29/32"
3655-5-5-2	3650-5-5-2	5/16"	1/8"	115/32"	21/32"
3655-6-6-4	3650-6-6-4	3/8"	1/4"	111/16"	29/32"
3655-6-6-2	3650-6-6-2	3/8"	1/8"	117/32"	21/32"
3655-6-6-6	3650-6-6-6	3/8"	3/8"	125/32"	1"
3655-8-8-6	3650-8-8-6	1/2"	3/8"	115/16"	1"
3655-8-8-4	3650-8-8-4	1/2"	1/4"	127/32"	29/32"
3655-8-8-8	3650-8-8-8	1/2"	1/2"	131/32"	1 1/4"
3655-10-10-8	3650-10-10-8	5/8"	1/2"	2 1/4"	1 1/4"
3655-12-12-12	3650-12-12-12	3/4"	3/4"	2 15/32"	1 11/32"
3655-12-12-8	3650-12-12-8	3/4"	1/2"	2 1/4"	1 1/4"
3655-14-14-12	3650-14-14-12	7/8"	3/4"	2 9/16"	1 11/32"
3655-16-16-16	3650-16-16-16	1"	1"	2 15/16"	1 5/8"
3655-20-20-20	3650-20-20-20	1 1/4"	1 1/4"	3 5/32"	1 11/16"
3655-24-24-24	3650-24-24-24	1 1/2"	1 1/2"	3 31/32"	2 1/16"
3655-32-32-32	3650-32-32-32	2"	2"	4 13/32"	2 3/8"

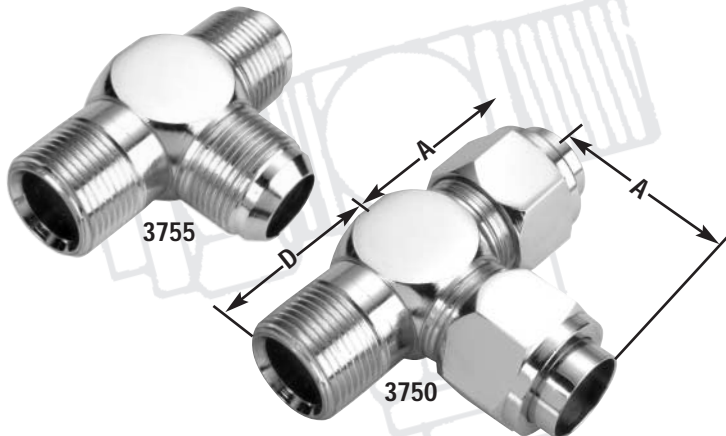
3705 / 3700 - TEE UNION FLARE TUBE END-ALL OPENINGS



3705 / 3700 • Tee Union

Body Only Part No.	Complete Assem. Part No.	Tube O.D.	"A" (Tube Leg)
3705-2	3700-2	1/8"	1 3/32"
3705-3	3700-3	3/16"	1 5/32"
3705-4	3700-4	1/4"	1 9/32"
3705-5	3700-5	5/16"	1 3/8"
3705-6	3700-6	3/8"	1 17/32"
3705-8	3700-8	1/2"	1 25/32"
3705-10	3700-10	5/8"	2 3/32"
3705-12	3700-12	3/4"	2 1/4"
3705-14	3700-14	7/8"	2 7/16"
3705-16	3700-16	1"	2 19/32"
3705-20	3700-20	1 1/4"	2 29/32"
3705-24	3700-24	1 1/2"	3 7/16"
3705-32	3700-32	2"	4 3/16"

3755 / 3750 - MALE RUN TEE FLARE TUBE END - MALE PIPE END FLARE TUBE SIDE OUTLET



3755 / 3750 • Male Run Tee

Body Only Part No.	Complete Assem. Part No.	Tube O.D.	Male Pipe Thread	"A" (Tube Leg)	"D" (Male Pipe Leg)
3755-4-2-4	3750-4-2-4	1/4"	1/8"	1 9/32"	2 5/32"
3755-4-4-4	3750-4-4-4	1/4"	1/4"	1 13/32"	1 3/32"
3755-5-2-5	3750-5-2-5	5/16"	1/8"	1 3/8"	2 5/32"
3755-6-4-6	3750-6-4-6	3/8"	1/4"	1 17/32"	1 3/32"
3755-6-2-6	3750-6-2-6	3/8"	1/8"	1 17/32"	7/8"
3755-6-6-6	3750-6-6-6	3/8"	3/8"	1 21/32"	1 7/32"
3755-8-6-8	3750-8-6-8	1/2"	3/8"	1 25/32"	1 7/32"
3755-8-4-8	3750-8-4-8	1/2"	1/4"	1 25/32"	1 5/32"
3755-8-8-8	3750-8-8-8	1/2"	1/2"	1 15/16"	1 15/32"
3755-10-8-10	3750-10-8-10	5/8"	1/2"	2 3/32"	1 15/32"
3755-12-12-12	3750-12-12-12	3/4"	3/4"	2 1/4"	1 19/32"
3755-14-12-14	3750-14-12-14	7/8"	3/4"	2 7/16"	1 11/16"
3755-16-16-16	3750-16-16-16	1"	1"	2 19/32"	1 31/32"
3755-20-20-20	3750-20-20-20	1 1/4"	1 1/4"	2 29/32"	2 3/8"
3755-24-24-24	3750-24-24-24	1 1/2"	1 1/2"	3 7/16"	2 5/8"
3755-32-32-32	3750-32-32-32	2"	2"	4 3/16"	3"

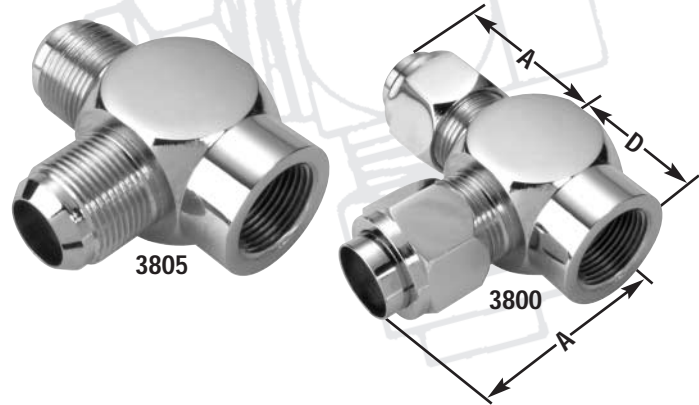
37° FLARE TUBE FITTINGS

T A P E R E D P I P E T H R E A D

3805 / 3800 • Female Run Tee

Body Only Part No.	Complete Assem. Part No.	Tube O.D.	Female Pipe Thread	"A" (Tube Leg)	"D" (Female Pipe Leg)
3805-4-2-4	3800-4-2-4	1/4"	1/8"	17/16"	21/32"
3805-5-2-5	3800-5-2-5	5/16"	1/8"	115/32"	21/32"
3805-6-4-6	3800-6-4-6	3/8"	1/4"	111/16"	29/32"
3805-8-6-8	3800-8-6-8	1/2"	3/8"	115/16"	1"
3805-8-8-8	3800-8-8-8	1/2"	1/2"	131/32"	11/4"
3805-10-8-10	3800-10-8-10	5/8"	1/2"	21/4"	11/4"
3805-12-12-12	3800-12-12-12	3/4"	3/4"	215/32"	111/32"
3805-14-12-14	3800-14-12-14	7/8"	3/4"	29/16"	111/32"
3805-16-16-16	3800-16-16-16	1"	1"	215/16"	15/8"
3805-20-20-20	3800-20-20-20	1 1/4"	1 1/4"	35/32"	111/16"
3805-24-24-24	3800-24-24-24	1 1/2"	1 1/2"	331/32"	21/16"
3805-32-32-32	3800-32-32-32	2"	2"	413/32"	23/8"

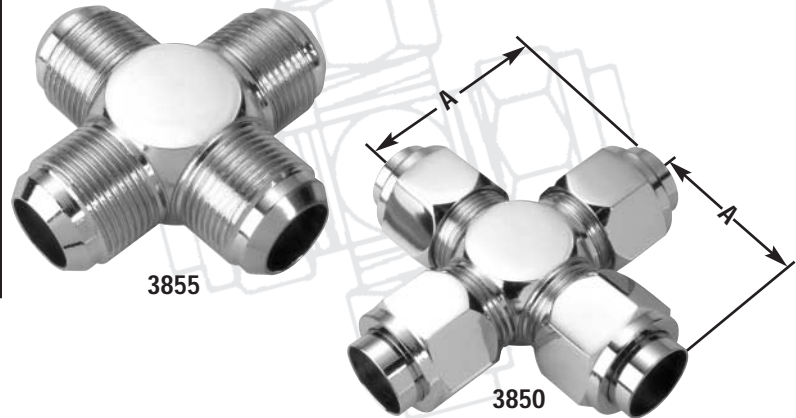
3805 / 3800 FEMALE RUN TEE FLARE TUBE END - FEMALE PIPE END - FLARE TUBE SIDE OUTLET



3855 / 3850 • Tube Cross

Body Only Part No.	Complete Assem. Part No.	Tube O.D.	"A" (Tube Leg)
3855-4	3850-4	1/4"	19/32"
3855-5	3850-5	5/16"	13/8"
3855-6	3850-6	3/8"	117/32"
3855-8	3850-8	1/2"	125/32"
3855-10	3850-10	5/8"	23/32"
3855-12	3850-12	3/4"	21/4"
3855-14	3850-14	7/8"	27/16"
3855-16	3850-16	1"	219/32"
3855-20	3850-20	1 1/4"	229/32"
3855-24	3850-24	1 1/2"	37/16"
3855-32	3850-32	2"	43/16"

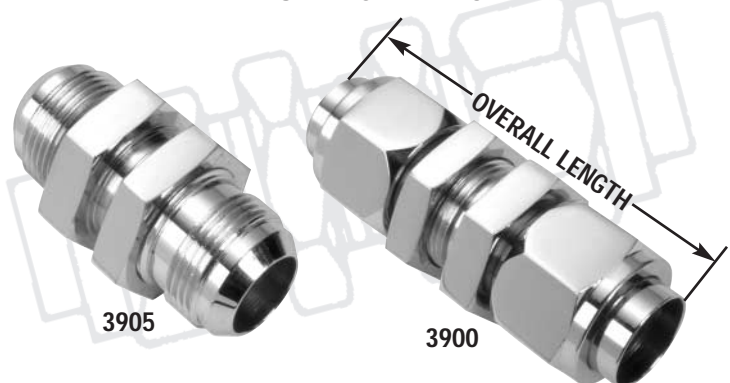
3855 / 3850 TUBE CROSS FLARE TUBE END - ALL OPENINGS



3905 / 3900 • Bulkhead Union

Body Only Part No.	Complete Assem. Part No.	Tube O.D.	Bulkhead Hole Diameter	Overall Length
3905-4	3900-4	1/4"	15/32"	227/32"
3905-5	3900-5	5/16"	17/32"	229/32"
3905-6	3900-6	3/8"	19/32"	31/8"
3905-8	3900-8	1/2"	25/32"	317/32"
3905-10	3900-10	5/8"	29/32"	4"
3905-12	3900-12	3/4"	13/32"	49/32"
3905-14	3900-14	7/8"	17/32"	49/16"
3905-16	3900-16	1"	111/32"	523/32"
3905-20	3900-20	1 1/4"	121/32"	57/32"
3905-24	3900-24	1 1/2"	129/32"	511/16"
3905-32	3900-32	2"	217/32"	617/32"

3905 / 3900 BULKHEAD UNION FLARE TUBE-BOTH ENDS



Maximum Bulkhead Thickness 3/8"

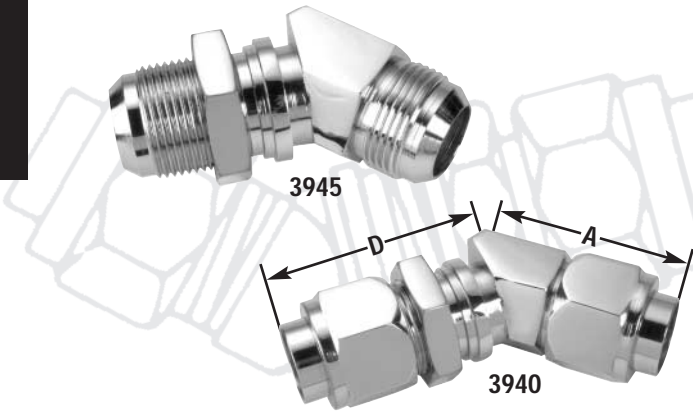
For body only, change the last number preceding the dash of part number from 0 to 5. Example: 3100-12-12 becomes 3105-12-12.

LENZ • P.O. BOX 1044 • DAYTON, OHIO 45401-1044 • PHONE: 937/277-9364 • FAX: 937/277-6516
OFFICE & FACTORY • 3301 KLEPINGER ROAD • DAYTON, OHIO 45406-1842
INTERNET: <http://www.lenzinc.com>

37° FLARE TUBE FITTINGS

T A P E R E D P I P E T H R E A D

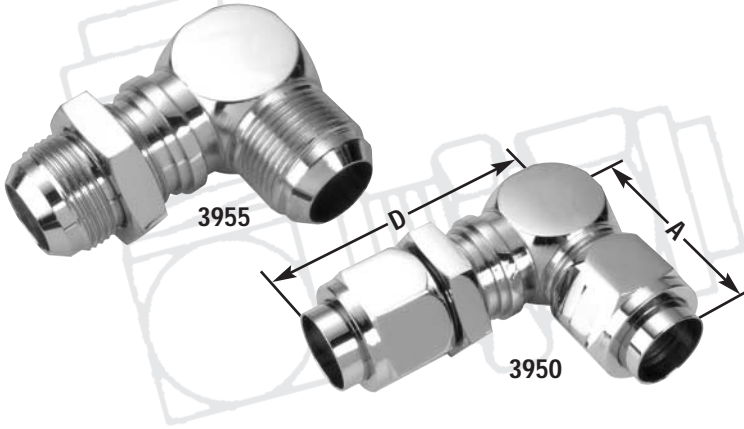
3945 / 3940 BULKHEAD 45° UNION ELBOW FLARE TUBE END - BOTH OPENINGS



3945 / 3940 • Bulkhead 45° Union Elbow

Body Only Part No.	Complete Assem. Part No.	Tube O.D.	Bulkhead Hole Diameter	"A" (Tube Leg)	"D" (Bulkhead Leg)
3945-4	3940-4	1/4"	15/32"	13/32"	23/32"
3945-5	3940-5	5/16"	17/32"	15/32"	25/32"
3945-6	3940-6	3/8"	19/32"	19/32"	213/32"
3945-8	3940-8	1/2"	25/32"	11/2"	223/32"
3945-10	3940-10	5/8"	29/32"	123/32"	33/32"
3945-12	3940-12	3/4"	13/32"	17/8"	311/32"
3945-14	3940-14	7/8"	17/32"	23/32"	317/32"
3945-16	3940-16	1"	111/32"	27/32"	321/32"
3945-20	3940-20	1 1/4"	121/32"	27/16"	41/16"
3945-24	3940-24	1 1/2"	129/32"	27/8"	415/32"

3955 / 3950 BULKHEAD UNION ELBOW FLARE TUBE END - BOTH OPENINGS

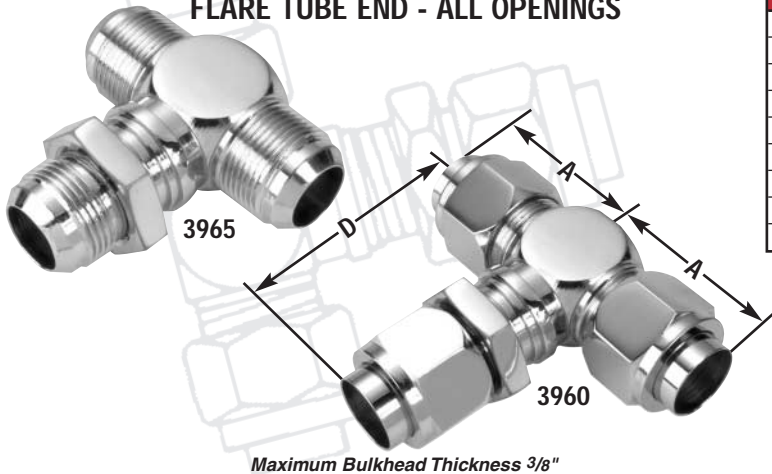


3955 / 3950 • Bulkhead Union Elbow

Body Only Part No.	Complete Assem. Part No.	Tube O.D.	Bulkhead Hole Diameter	"A" (Tube Leg)	"D" (Bulkhead Leg)
3955-4	3950-4	1/4"	15/32"	19/32"	23/32"
3955-5	3950-5	5/16"	17/32"	113/32"	25/32"
3955-6	3950-6	3/8"	19/32"	117/32"	113/32"
3955-8	3950-8	1/2"	25/32"	17/8"	223/32"
3955-10	3950-10	5/8"	29/32"	25/32"	33/32"
3955-12	3950-12	3/4"	13/32"	211/32"	311/32"
3955-14	3950-14	7/8"	17/32"	21/2"	317/32"
3955-16	3950-16	1"	111/32"	221/32"	321/32"
3955-20	3950-20	1 1/4"	121/32"	3"	41/16"
3955-24	3950-24	1 1/2"	129/32"	37/16"	419/32"
3955-32	3950-32	2"	217/32"	4 3/16"	51/4"

Maximum Bulkhead Thickness 3/8"

3965 / 3960 BULKHEAD TEE FLARE TUBE END - ALL OPENINGS



3965 / 3960 • Bulkhead Tee

Body Only Part No.	Complete Assem. Part No.	Tube O.D.	Bulkhead Hole Diameter	"A" (Tube Leg)	"D" (Bulkhead Leg)
3965-4	3960-4	1/4"	15/32"	19/32"	23/32"
3965-5	3960-5	5/16"	17/32"	113/32"	25/32"
3965-6	3960-6	3/8"	19/32"	117/32"	213/32"
3965-8	3960-8	1/2"	25/32"	17/8"	223/32"
3965-10	3960-10	5/8"	29/32"	25/32"	33/32"
3965-12	3960-12	3/4"	13/32"	211/32"	311/32"
3965-14	3960-14	7/8"	17/32"	21/2"	317/32"
3965-16	3960-16	1"	111/32"	221/32"	321/32"
3965-20	3960-20	1 1/4"	121/32"	3"	41/16"

For body only, change the last number preceding the dash of part number from 0 to 5. Example: 3100-12-12 becomes 3105-12-12.

Maximum Bulkhead Thickness 3/8"

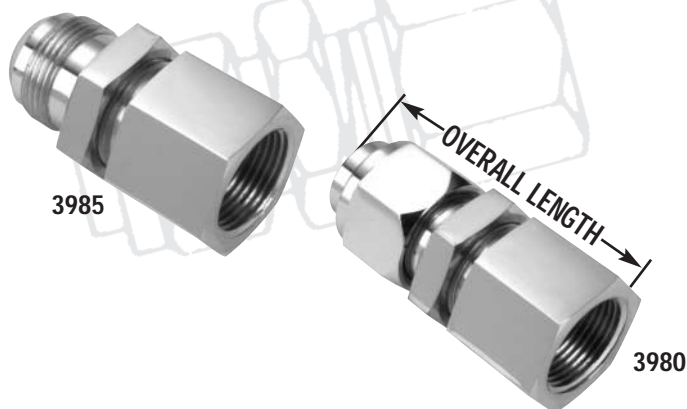
37° FLARE TUBE FITTINGS

T A P E R E D P I P E T H R E A D

3985 / 3980 • Female Bulkhead

Body Only Part No.	Complete Assem. Part No.	Tube O.D.	Female Pipe Thread	Bulkhead Hole Dia.	Overall Length
3985-4-2	3980-4-2	1/4"	1/8"	15/32"	2 ⁹ / ₃₂ "
3985-4-4	3980-4-4	1/4"	1/4"	15/32"	2 ¹⁵ / ₃₂ "
3985-5-2	3980-5-2	5/16"	1/8"	17/32"	2 ⁵ / ₁₆ "
3985-6-4	3980-6-4	3/8"	1/4"	19/32"	2 ⁵ / ₈ "
3985-6-6	3980-6-6	3/8"	3/8"	19/32"	2 ²³ / ₃₂ "
3985-8-6	3980-8-6	1/2"	3/8"	25/32"	2 ²⁹ / ₃₂ "
3985-8-8	3980-8-8	1/2"	1/2"	25/32"	3 ¹ / ₈ "
3985-10-8	3980-10-8	5/8"	1/2"	29/32"	3 ¹¹ / ₃₂ "
3985-12-12	3980-12-12	3/4"	3/4"	1 ³ / ₃₂ "	3 ¹⁹ / ₃₂ "
3985-14-12	3980-14-12	7/8"	3/4"	1 ⁷ / ₃₂ "	3 ²¹ / ₃₂ "
3985-16-16	3980-16-16	1"	1"	1 ¹¹ / ₃₂ "	3 ⁷ / ₈ "
3985-20-20	3980-20-20	1 1/4"	1 1/4"	2 ¹ / ₃₂ "	4 ¹ / ₈ "
3985-24-24	3980-24-24	1 1/2"	1 1/2"	2 ²⁹ / ₃₂ "	4 ¹¹ / ₃₂ "
3985-32-32	3980-32-32	2"	2"	2 ¹⁷ / ₃₂ "	4 ²⁷ / ₃₂ "

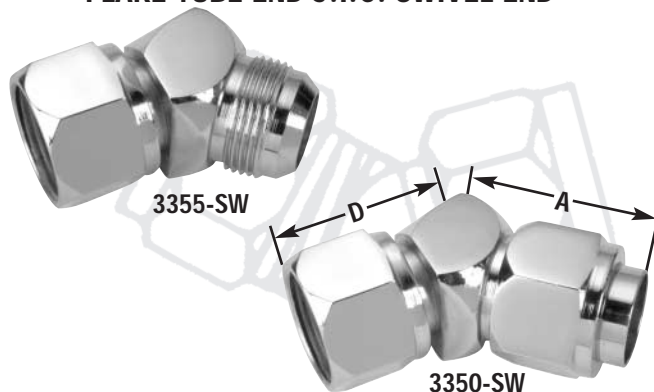
3985 / 3980 FEMALE BULKHEAD FLARE TUBE END-FEMALE PIPE END



3355-SW / 3350-SW • Swivel Nut 45° Elbow

Body Only Part No.	Complete Assembly Part No.	Tube O.D.	"A" (Tube Leg)	"D" (Swivel Leg)
3355SW-4	3350SW-4	1/4"	1 ³ / ₃₂ "	1 ⁵ / ₁₆ "
3355SW-5	3350SW-5	5/16"	1 ⁵ / ₃₂ "	1"
3355SW-6	3350SW-6	3/8"	1 ⁹ / ₃₂ "	1 ¹ / ₈ "
3355SW-8	3350SW-8	1/2"	1 ¹ / ₂ "	1 ⁹ / ₃₂ "
3355SW-10	3350SW-10	5/8"	1 ²³ / ₃₂ "	1 ⁷ / ₁₆ "
3355SW-12	3350SW-12	3/4"	1 ⁷ / ₈ "	1 ¹ / ₂ "
3355SW-14	3350SW-14	7/8"	2 ³ / ₃₂ "	1 ⁵ / ₈ "
3355SW-16	3350SW-16	1"	2 ⁷ / ₃₂ "	1 ³ / ₄ "
3355SW-20	3350SW-20	1 1/4"	2 ⁷ / ₁₆ "	2 ¹ / ₃₂ "
3355SW-24	3350SW-24	1 1/2"	2 ⁷ / ₈ "	2 ¹ / ₄ "
3355SW-32	3350SW-32	2"	3 ¹¹ / ₃₂ "	2 ²⁹ / ₃₂ "

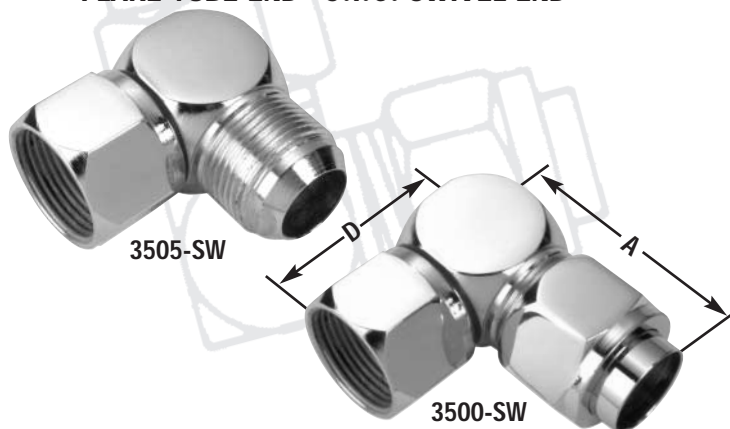
3355-SW / 3350-SW SWIVEL NUT 45° ELBOW FLARE TUBE END-J.I.C. SWIVEL END



3505-SW / 3500-SW • Swivel Nut Elbow

Body Only Part No.	Complete Assembly Part No.	Tube O.D.	"A" (Tube Leg)	"D" (Swivel Leg)
3505SW-4	3500SW-4	1/4"	1 ⁹ / ₃₂ "	1"
3505SW-5	3500SW-5	5/16"	1 ³ / ₈ "	1 ¹ / ₁₆ "
3505SW-6	3500SW-6	3/8"	1 ¹⁷ / ₃₂ "	1 ¹ / ₄ "
3505SW-8	3500SW-8	1/2"	1 ²⁵ / ₃₂ "	1 ³ / ₈ "
3505SW-10	3500SW-10	5/8"	2 ³ / ₃₂ "	1 ⁵ / ₈ "
3505SW-12	3500SW-12	3/4"	2 ¹ / ₄ "	1 ³ / ₄ "
3505SW-14	3500SW-14	7/8"	2 ⁷ / ₁₆ "	1 ²⁵ / ₃₂ "
3505SW-16	3500SW-16	1"	2 ¹⁹ / ₃₂ "	2"
3505SW-20	3500SW-20	1 1/4"	2 ²⁹ / ₃₂ "	2 ⁵ / ₁₆ "
3505SW-24	3500SW-24	1 1/2"	3 ⁷ / ₁₆ "	2 ¹⁹ / ₃₂ "
3505SW-32	3500SW-32	2"	4 ³ / ₁₆ "	3 ³ / ₈ "

3505-SW / 3500-SW SWIVEL NUT 90° ELBOW FLARE TUBE END - J.I.C. SWIVEL END



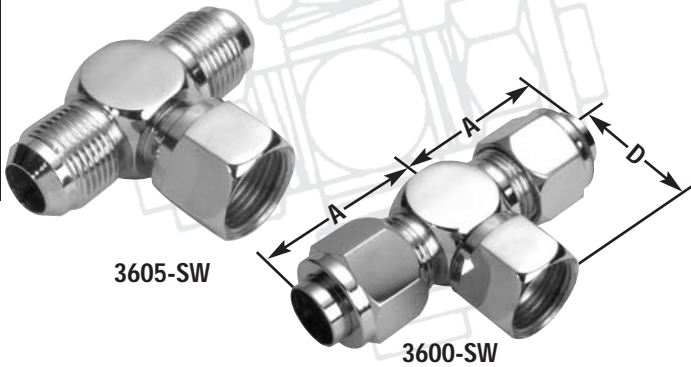
For body only, change the last number preceding the dash of part number from 0 to 5. Example: 3100-12-12 becomes 3105-12-12.

37° FLARE TUBE FITTINGS

T A P E R E D P I P E T H R E A D

3605-SW / 3600-SW

SWIVEL NUT BRANCH TEE FLARE TUBE END
-FLARE TUBE END - J.I.C. SWIVEL SIDE OUTLET



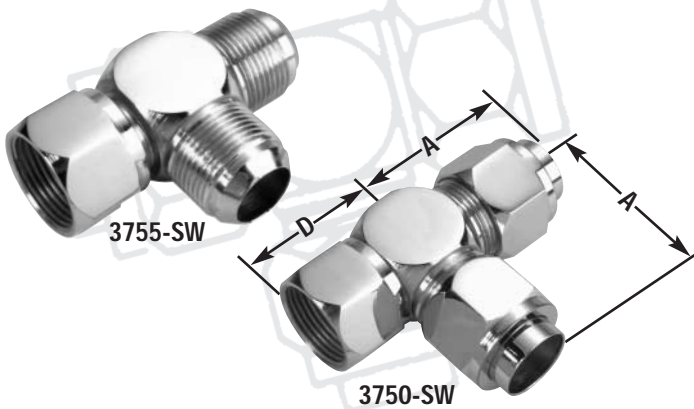
Example of Part No.: 3600-SW-12 for 3/4" O.D. Tubing

3605-SW / 3600-SW • Swivel Nut Branch Tee

Body Only Part No.	Complete Assembly Part No.	Tube O.D.	"A" (Tube Leg)	"D" (Swivel Leg)
3605SW-4	3600SW-4	1/4"	19/32"	1"
3605SW-5	3600SW-5	5/16"	13/8"	1 1/16"
3605SW-6	3600SW-6	3/8"	1 17/32"	1 1/4"
3605SW-8	3600SW-8	1/2"	1 25/32"	1 3/8"
3605SW-10	3600SW-10	5/8"	2 3/32"	1 5/8"
3605SW-12	3600SW-12	3/4"	2 1/4"	1 3/4"
3605SW-14	3600SW-14	7/8"	2 7/16"	1 25/32"
3605SW-16	3600SW-16	1"	2 19/32"	2"
3605SW-20	3600SW-20	1 1/4"	2 29/32"	2 5/16"
3605SW-24	3600SW-24	1 1/2"	3 7/16"	2 19/32"
3605SW-32	3600SW-32	2"	4 3/16"	3 3/8"

3755-SW / 3750-SW

SWIVEL NUT RUN TEE FLARE TUBE END
-J.I.C. SWIVEL END - FLARE TUBE SIDE OUTLET



3755-SW / 3750-SW • Swivel Nut Run Tee

Body Only Part No.	Complete Assembly Part No.	Tube O.D.	"A" (Tube Leg)	"D" (Swivel Leg)
3755SW-4	3750SW-4	1/4"	19/32"	1"
3755SW-5	3750SW-5	5/16"	1 3/8"	1 1/16"
3755SW-6	3750SW-6	3/8"	1 17/32"	1 1/4"
3755SW-8	3750SW-8	1/2"	1 25/32"	1 3/8"
3755SW-10	3750SW-10	5/8"	2 3/32"	1 5/8"
3755SW-12	3750SW-12	3/4"	2 1/4"	1 3/4"
3755SW-14	3750SW-14	7/8"	2 7/16"	1 25/32"
3755SW-16	3750SW-16	1"	2 19/32"	2"
3755SW-20	3750SW-20	1 1/4"	2 29/32"	2 5/16"
3755SW-24	3750SW-24	1 1/2"	3 7/16"	2 19/32"
3755SW-32	3750SW-32	2"	4 3/16"	3 3/8"

3105-SW

MALE PIPE TO 37° FEMALE SWIVEL



3255-SW

FEMALE PIPE TO 37° FEMALE SWIVEL



Please indicate size: Example: 3105SW-8-8

A3105-SW

O-RING S.A.E. TO 37° FEMALE SWIVEL



A3405-SW

O-RING S.A.E. ADJUSTABLE TO 37° FEMALE SWIVEL ELBOW



37° FLARE TUBE FITTINGS

T A P E R E D P I P E T H R E A D

LENZ SPECIAL SHAPES

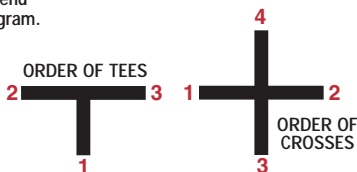
The Lenz Special Shapes shown are available in standard or special sizes. Only items priced in current supplementary price list are carried in stock. Price and delivery on non-stocked items furnished on request and will depend on quantity ordered. No quantity is too small for us to handle. We invite your inquiries. See pages 47 and 48 for information on fitting outlets.

To Order Stainless Steel, Add SS to Part No.

How To Order Crosses - Indicate part number followed by the tube end size First then the other ends in the order in the diagram.

How To Order Tees - Indicate part number, specify size of tube end First, opposite end Second and side outlet Third. See diagram.

If there are two tube outlets, specify largest size First. If both female and male outlet on the run, show female size First. This would apply to our 3865 tees. Send pencil sketch if you prefer.



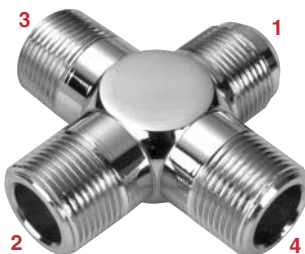
3765 Cross
Flare Tube End-
Flare Tube End-
Male Pipe End-
Male Pipe End



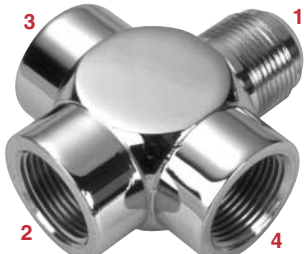
3775 Cross
Flare Tube End-
Flare Tube End-
Female Pipe End-
Female Pipe End



3785 Cross
Flare Tube End-
Male Pipe End-
Male Pipe End-
Male Pipe End



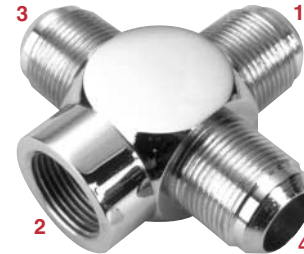
3795 Cross
Flare Tube End-
Female Pipe End-
Female Pipe End-
Female Pipe End



3815 Male Cross
Flare Tube End-
Flare Tube End-
Flare Tube End-
Male Pipe End



3825 Female Cross
Flare Tube End-
Flare Tube End-
Flare Tube End-
Female Pipe End



3865 Tee
Female Pipe End-
Male Pipe End-
Flare Tube Side Outlet



3875 Tee
Male Pipe End-
Male Pipe End-
Flare Tube Side Outlet



3885 Tee
Flare Tube End-
Female Pipe End-
Male Pipe Side Outlet



3895 Tee
Flare Tube End-
Male Pipe End-
Male Pipe Side Outlet



3915 Tee
Flare Tube End-
Male Pipe End-
Female Pipe Side Outlet



3925 Tee
Female Pipe End-
Female Pipe End-
Flare Tube Side Outlet



3935 Tee
Flare Tube End-
Female Pipe End-
Female Pipe Side Outlet



3995 Male Bulkhead
Flare Tube End-
Male Pipe End



Maximum Bulkhead Thickness 3/8"

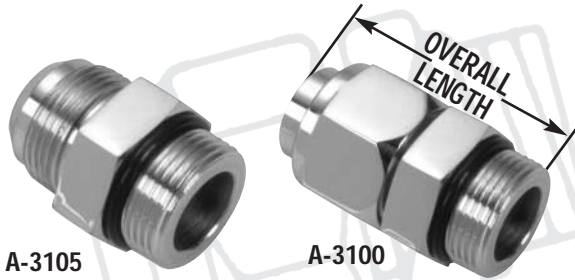
Note: Only items in current supplementary price list are carried in stock. Price and delivery of non-stock items furnished on request and will depend on quantity ordered.

LENZ • P.O. BOX 1044 • DAYTON, OHIO 45401-1044 • PHONE: 937/277-9364 • FAX: 937/277-6516
OFFICE & FACTORY • 3301 KLEPINGER ROAD • DAYTON, OHIO 45406-1842
INTERNET: <http://www.lenzinc.com>

37° FLARE TUBE FITTINGS

S . A . E . S T R A I G H T T H R E A D

A-3105 / A-3100 • MALE CONNECTOR FLARE TUBE END- S.A.E. STRAIGHT THREAD END



A-3105

A-3100

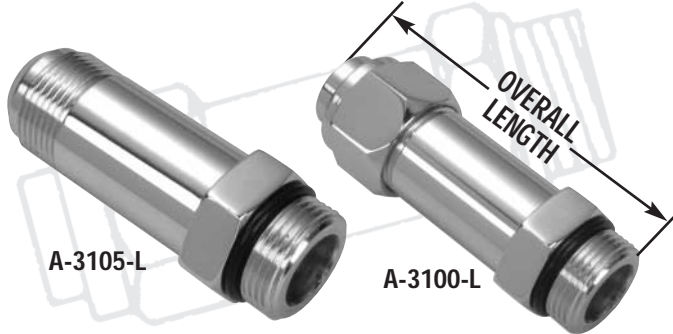
How To Order 3 Piece Flare Straight Thread Assemblies

For Complete 3-Piece Assemblies

Use part number shown. For body only, change the last number preceding the dash from 0 to 5. Example: A-3100-12 Male Connector becomes A-3105-12 for Male Connector Body only.

Note: To Order Stainless Steel Fittings Add SS To Part Number. Example: A-3350-12-SS.

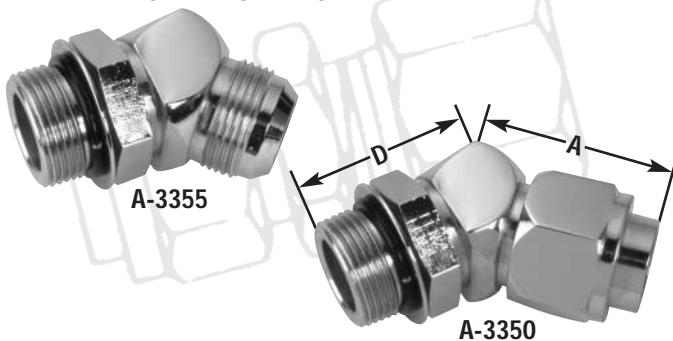
A-3105-L / A-3100-L • LONG MALE CONNECTOR FLARE TUBE END S.A.E. STRAIGHT THREAD END



A-3105-L

A-3100-L

A-3355 / A-3350 • MALE 45° ELBOW FLARE TUBE END S.A.E. STRAIGHT THREAD END



A-3355

A-3350

A-3105 / A-3100 • Male Connector

Body Only Part No.	Complete Assembly Part No.	Tube O.D.	Straight Thread	Overall Length
A3105-4-4	A3100-4-4	1/4"	7/16"-20	15/8"
A3105-4-5	A3100-4-5	1/4"	1/2"-20	15/8"
A3105-4-6	A3100-4-6	1/4"	9/16"-18	12 ¹ / ₃₂ "
A3105-5-5	A3100-5-5	5/16"	1/2"-20	12 ¹ / ₃₂ "
A3105-6-6	A3100-6-6	3/8"	9/16"-18	12 ⁵ / ₃₂ "
A3105-6-8	A3100-6-8	3/8"	3/4"-16	12 ⁷ / ₃₂ "
A3105-6-10	A3100-6-10	3/8"	7/8"-14	13 ¹ / ₃₂ "
A3105-8-8	A3100-8-8	1/2"	3/4"-16	2 ¹ / ₃₂ "
A3105-8-6	A3100-8-6	1/2"	9/16"-18	11 ⁵ / ₁₆ "
A3105-8-10	A3100-8-10	1/2"	7/8"-14	2 ¹ / ₈ "
A3105-8-12	A3100-8-12	1/2"	11/16"-12	2 ⁷ / ₃₂ "
A3105-8-14	A3100-8-14	1/2"	13/16"-12	2 ⁷ / ₃₂ "
A3105-10-10	A3100-10-10	5/8"	7/8"-14	2 ¹¹ / ₃₂ "
A3105-10-8	A3100-10-8	5/8"	3/4"-16	2 ⁷ / ₃₂ "
A3100-10-12	A3100-10-12	5/8"	11/16"-12	2 ⁷ / ₁₆ "
A3105-12-12	A3100-12-12	3/4"	11/16"-12	2 ¹⁹ / ₃₂ "
A3105-12-8	A3100-12-8	3/4"	3/4"-16	2 ¹⁵ / ₃₂ "
A3105-12-10	A3100-12-10	3/4"	7/8"-14	2 ¹⁵ / ₃₂ "
A3105-12-14	A3100-12-14	3/4"	13/16"-12	2 ⁵ / ₈ "
A3105-12-16	A3100-12-16	3/4"	15/16"-12	2 ⁵ / ₈ "
A3105-14-14	A3100-14-14	7/8"	13/16"-12	2 ²³ / ₃₂ "
A3105-14-16	A3100-14-16	7/8"	15/16"-12	2 ²³ / ₃₂ "
A3105-16-16	A3100-16-16	1"	15/16"-12	2 ²⁵ / ₃₂ "
A3105-16-12	A3100-16-12	1"	11/16"-12	2 ³ / ₄ "
A3105-16-20	A3100-16-20	1"	15/8"-12	2 ¹³ / ₁₆ "
A3105-20-20	A3100-20-20	1 1/4"	15/8"-12	3 ¹ / ₃₂ "
A3105-20-16	A3100-20-16	1 1/4"	15/16"-12	2 ³¹ / ₃₂ "
A3105-20-24	A3100-20-24	1 1/4"	17/8"-12	3 ¹ / ₁₆ "
A3105-24-24	A3100-24-24	1 1/2"	17/8"-12	3 ⁷ / ₁₆ "
A3105-24-20	A3100-24-20	1 1/2"	15/8"-12	3 ³ / ₈ "
A3105-32-32	A3100-32-32	2"	2 1/2"-12	3 ²⁹ / ₃₂ "

A-3105-L / A-3100-L • Long Male Connector

Body Only Part No.	Complete Assem. Part No.	Tube O.D.	Straight Thread	Overall Length
A3105L-4	A3100L-4	1/4"	7/16"-20	2 ⁵ / ₁₆ "
A3105L-5	A3100L-5	5/16"	1/2"-20	2 ¹³ / ₃₂ "
A3105L-6	A3100L-6	3/8"	9/16"-18	2 ²¹ / ₃₂ "
A3105L-8	A3100L-8	1/2"	3/4"-16	3 ³ / ₃₂ "
A3105L-10	A3100L-10	5/8"	7/8"-14	3 ²³ / ₃₂ "
A3105L-12	A3100L-12	3/4"	1 1/8"-12	4 ¹ / ₈ "
A3105L-14	A3100L-14	7/8"	13/16"-12	4 ³ / ₈ "
A3105L-16	A3100L-16	1"	15/16"-12	4 ¹⁹ / ₃₂ "
A3105L-20	A3100L-20	1 1/4"	15/8"-12	5 ¹¹ / ₃₂ "
A3105L-24	A3100L-24	1 1/2"	17/8"-12	5 ³¹ / ₃₂ "
A3105L-32	A3100L-32	2"	2 1/2"-12	6 ¹⁵ / ₁₆ "

A-3355 / A-3350 • Male 45° Elbow

Body Only Part No.	Complete Assem. Part No.	Tube O.D.	Straight Thread	"A" (Tube Leg)	"D" (Straight Thread Leg)
A3355-4	A3350-4	1/4"	7/16"-20	1 ³ / ₃₂ "	1 ¹ / ₃₂ "
A3355-5	A3350-5	5/16"	1/2"-20	1 ⁵ / ₃₂ "	1 ¹ / ₃₂ "
A3355-6	A3350-6	3/8"	9/16"-18	1 ⁹ / ₃₂ "	1 ¹ / ₈ "
A3355-8	A3350-8	1/2"	3/4"-16	1 1/2"	1 ⁹ / ₃₂ "
A3355-10	A3350-10	5/8"	7/8"-14	1 ²³ / ₃₂ "	1 1/2"
A3355-12	A3350-12	3/4"	11/16"-12	1 7/8"	1 ²³ / ₃₂ "
A3355-14	A3350-14	7/8"	13/16"-12	2 ³ / ₃₂ "	1 ²⁵ / ₃₂ "
A3355-16	A3350-16	1"	15/16"-12	2 ⁷ / ₃₂ "	1 ²⁷ / ₃₂ "
A3355-20	A3350-20	1 1/4"	15/8"-12	2 ⁷ / ₁₆ "	1 ²⁹ / ₃₂ "
A3355-24	A3350-24	1 1/2"	17/8"-12	2 ⁷ / ₈ "	1 ²⁹ / ₃₂ "
A3355-32	A3350-32	2"	2 1/2"-12	3 ¹¹ / ₃₂ "	1 ²⁷ / ₃₂ "

For body only, change the last number preceding the dash of part number from 0 to 5. Example: A-3350-12 becomes A-3355-12.

LENZ • P.O. BOX 1044 • DAYTON, OHIO 45401-1044 • PHONE: 937/277-9364 • FAX: 937/277-6516
OFFICE & FACTORY • 3301 KLEPINGER ROAD • DAYTON, OHIO 45406-1842
INTERNET: <http://www.lenzinc.com>

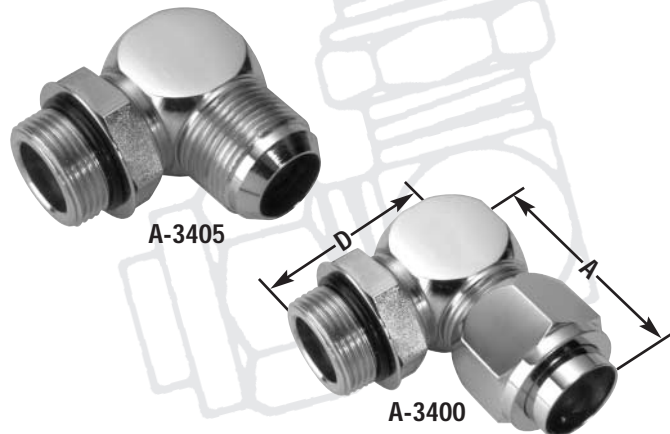
37° FLARE TUBE FITTINGS

S . A . E . S T R A I G H T T H R E A D

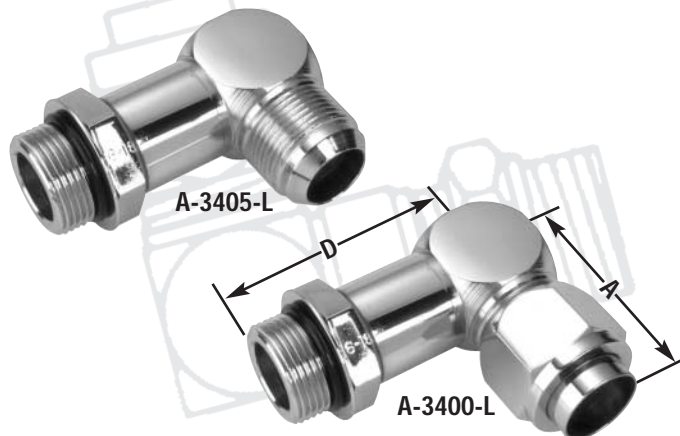
A-3405 / A-3400 • Male Elbow

Body Only Part No.	Complete Assem. Part No.	Tube O.D.	Straight Thread	"A" (Tube Leg)	"D" Straight Thread Leg
A3405-4-4	A3400-4-4	1/4"	7/16"-20	19/32"	11/64"
A3405-4-6	A3400-4-6	1/4"	9/16"-18	111/32"	115/64"
A3405-5-5	A3400-5-5	5/16"	1/2"-20	13/8"	15/64"
A3405-6-6	A3400-6-6	3/8"	9/16"-18	117/32"	115/64"
A3405-6-4	A3400-6-4	3/8"	7/16"-20	117/32"	15/64"
A3405-6-8	A3400-6-8	3/8"	3/4"-16	15/8"	17/16"
A3405-6-10	A3400-6-10	3/8"	7/8"-14	111/16"	111/16"
A3405-8-8	A3400-8-8	1/2"	3/4"-16	125/32"	17/16"
A3405-8-6	A3400-8-6	1/2"	9/16"-18	125/32"	119/64"
A3405-8-10	A3400-8-10	1/2"	7/8"-14	127/32"	111/16"
A3405-8-12	A3400-8-12	1/2"	11/16"-12	2"	115/16"
A3405-10-10	A3400-10-10	5/8"	7/8"-14	23/32"	111/16"
A3405-10-8	A3400-10-8	5/8"	3/4"-16	23/32"	11/2"
A3405-10-12	A3400-10-12	5/8"	11/16"-12	27/32"	115/16"
A3405-12-12	A3400-12-12	3/4"	11/16"-12	21/4"	115/16"
A3405-12-10	A3400-12-10	3/4"	7/8"-14	21/4"	113/16"
A3405-12-16	A3400-12-16	3/4"	15/16"-12	213/32"	21/32"
A3405-14-14	A3400-14-14	7/8"	13/16"-12	27/16"	2"
A3405-16-16	A3400-16-16	1"	15/16"-12	219/32"	21/32"
A3405-16-12	A3400-16-12	1"	11/16"-12	219/32"	21/16"
A3405-20-20	A3400-20-20	1 1/4"	15/8"-12	229/32"	21/4"
A3405-24-24	A3400-24-24	1 1/2"	17/8"-12	37/16"	23/8"
A3405-24-20	A3400-24-20	1 1/2"	15/8"-12	37/16"	23/8"
A3405-32-32	A3400-32-32	2"	2 1/2"-12	43/16"	27/8"

A-3405 / A-3400 • MALE ELBOW FLARE TUBE END S.A.E. STRAIGHT THREAD END



A-3405-L / A-3400-L • LONG MALE ELBOW FLARE TUBE END S.A.E. STRAIGHT THREAD END



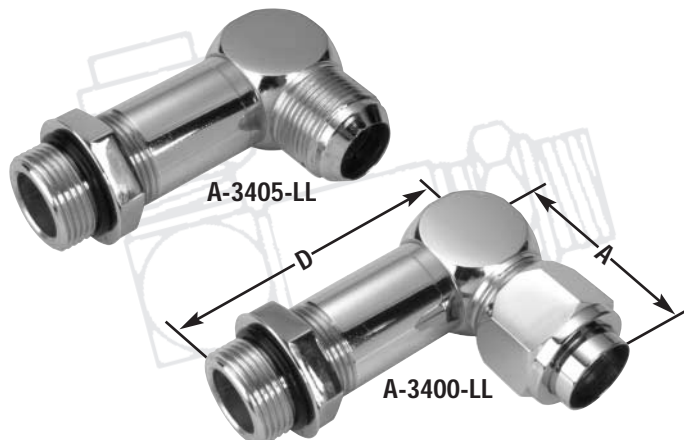
A-3405-L / A-3400-L • Long Male Elbow

Body Only Part No.	Complete Assem. Part No.	Tube O.D.	Straight Thread	"A" (Tube Leg)	"D" Straight Thread Leg
A3405L-4	A3400L-4	1/4"	7/16"-20	19/32"	13/16"
A3405L-6	A3400L-6	3/8"	9/16"-18	117/32"	121/32"
A3405L-8	A3400L-8	1/2"	3/4"-16	125/32"	113/16"
A3405L-10	A3400L-10	5/8"	7/8"-14	23/32"	27/32"
A3405L-12	A3400L-12	3/4"	11/16"-12	21/4"	215/32"
A3405L-16	A3400L-16	1"	15/16"-12	219/32"	31/16"

A-3405-LL / A-3400-LL • Extra Long Male Elbow

Body Only Part No.	Complete Assem. Part No.	Tube O.D.	Straight Thread	"A" (Tube Leg)	"D" Straight Thread Leg
A3405LL-4	A3400LL-4	1/4"	7/16"-20	19/32"	123/32"
A3405LL-6	A3400LL-6	3/8"	9/16"-18	117/32"	21/16"
A3405LL-8	A3400LL-8	1/2"	3/4"-16	125/32"	21/2"
A3405LL-10	A3400LL-10	5/8"	7/8"-14	23/32"	27/8"
A3405LL-12	A3400LL-12	3/4"	11/16"-12	21/4"	311/32"
A3405LL-16	A3400LL-16	1"	15/16"-12	219/32"	33/4"

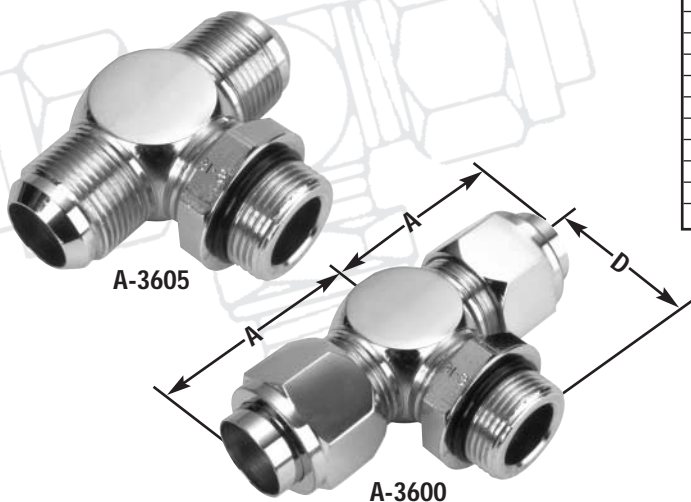
A-3405-LL / A-3400-LL • EXTRA LONG MALE ELBOW FLARE TUBE END S.A.E. STRAIGHT THREAD END



37° FLARE TUBE FITTINGS

S . A . E . S T R A I G H T T H R E A D

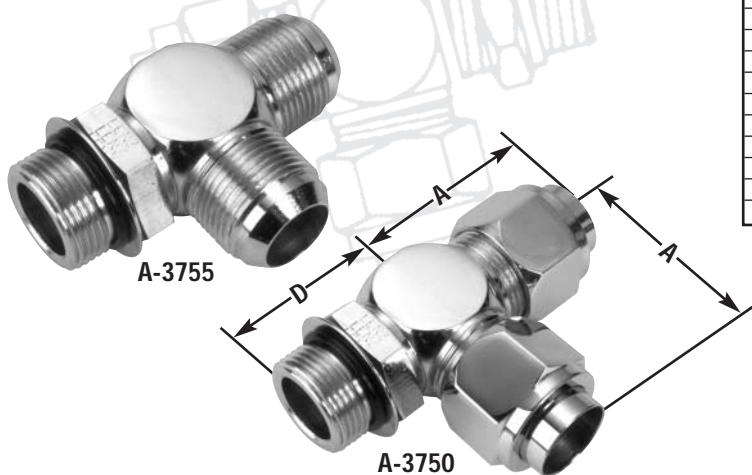
A-3605 / A-3600 • MALE BRANCH TEE FLARE TUBE ENDS- S.A.E. STRAIGHT THREAD SIDE OUTLET



A-3605 / A-3600 • Male Branch Tee

Body Only Part No.	Complete Assem. Part No.	Tube O.D.	Straight Thread	"A" (Tube Leg)	"D" Straight Thread Leg
A3605-4	A3600-4	1/4"	7/16"-20	19/32"	11/64"
A3605-5	A3600-5	5/16"	1/2"-20	13/8"	15/64"
A3605-6	A3600-6	3/8"	9/16"-18	117/32"	115/64"
A3605-8	A3600-8	1/2"	3/4"-16	125/32"	17/16"
A3605-10	A3600-10	5/8"	7/8"-14	23/32"	111/16"
A3605-12	A3600-12	3/4"	1 1/16"-12	2 1/4"	115/16"
A3605-14	A3600-14	7/8"	1 3/16"-12	2 7/16"	2"
A3605-16	A3600-16	1"	1 5/16"-12	2 19/32"	2 1/32"
A3605-20	A3600-20	1 1/4"	1 5/8"-12	2 29/32"	2 1/4"
A3605-24	A3600-24	1 1/2"	1 7/8"-12	3 7/16"	2 3/8"
A3605-32	A3600-32	2"	2 1/2"-12	4 3/16"	2 7/8"

A-3755 / A-3750 • MALE RUN TEE FLARE TUBE END-S.A.E. STRAIGHT THREAD END-FLARE TUBE SIDE OUTLET



A3755 / A3750 • Male Run Tee

Body Only Part No.	Complete Assem. Part No.	Tube O.D.	Straight Thread	"A" (Tube Leg)	"D" Straight Thread Leg
A3755-4	A3750-4	1/4"	7/16"-20	19/32"	11/164"
A3755-5	A3750-5	5/16"	1/2"-20	13/8"	15/64"
A3755-6	A3750-6	3/8"	9/16"-18	117/32"	115/64"
A3755-8	A3750-8	1/2"	3/4"-16	125/32"	17/16"
A3755-10	A3750-10	5/8"	7/8"-14	23/32"	111/16"
A3755-12	A3750-12	3/4"	1 1/16"-12	2 1/4"	115/32"
A3755-14	A3750-14	7/8"	1 3/16"-12	2 7/16"	2"
A3755-16	A3750-16	1"	1 5/16"-12	2 19/32"	2 1/32"
A3755-20	A3750-20	1 1/4"	1 5/8"-12	2 29/32"	2 1/4"
A3755-24	A3750-24	1 1/2"	1 7/8"-12	3 7/16"	2 3/8"
A3755-32	A3750-32	2"	2 1/2"-12	4 3/16"	2 7/8"

All Lenz Fittings
Conform to J.I.C.
Hydraulic Standards

For body only, change the last number preceding the dash of part number from 0 to 5. Example: A-3350-12 becomes A-3355-12.

LENZ • P.O. BOX 1044 • DAYTON, OHIO 45401-1044 • PHONE: 937/277-9364 • FAX: 937/277-6516
OFFICE & FACTORY • 3301 KLEPINGER ROAD • DAYTON, OHIO 45406-1842
INTERNET: <http://www.lenzinc.com>

COMPONENTS & ACCESSORIES

NUTS & SLEEVES

3205 • Tube Nut 3-Piece Type Used With 3165 Sleeve

Part No.	Tube O.D.	J.I.C. Thread	Hex Size	Length
3205-2	1/8"	5/16"-24	3/8"	17/32"
3205-3	3/16"	3/8"-24	1/2"	19/32"
3205-4	1/4"	7/16"-20	9/16"	5/8"
3205-5	5/16"	1/2"-20	5/8"	11/16"
3205-6	3/8"	9/16"-18	11/16"	23/32"
3205-8	1/2"	3/4"-16	7/8"	27/32"
3205-10	5/8"	7/8"-14	1"	31/32"
3205-12	3/4"	1 1/16"-12	1 1/4"	1 1/32"
3205-14	7/8"	1 3/16"-12	1 3/8"	1 3/32"
3205-16	1"	1 5/16"-12	1 1/2"	1 1/8"
3205-20	1 1/4"	1 5/8"-12	2"	1 7/32"
3205-24	1 1/2"	1 7/8"-12	2 1/4"	1 13/32"
3205-32	2"	2 1/2"-12	2 7/8"	1 3/4"

3205
TUBE NUT 3-PIECE TYPE USED WITH 3165 SLEEVE



3165 • Tube Sleeve Used With 3205 Nut

Part No.	Tube O.D.	Length
3165-2	1/8"	11/32"
3165-3	3/16"	11/32"
3165-4	1/4"	13/32"
3165-5	5/16"	7/16"
3165-6	3/8"	1/2"
3165-8	1/2"	9/16"
3165-10	5/8"	21/32"
3165-12	3/4"	11/16"
3165-14	7/8"	3/4"
3165-16	1"	25/32"
3165-20	1 1/4"	29/32"
3165-24	1 1/2"	1 1/8"
3165-32	2"	1 3/16"

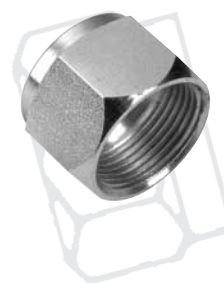
3165 • TUBE SLEEVE
USED WITH 3205 NUT



2205-S • Two Piece Tube Short Nut

Part No.	Tube O.D.	J.I.C. Thread	Hex Size	Length
2205S-4	1/4"	7/16"-20	9/16"	9/16"
2205S-5	5/16"	1/2"-20	5/8"	19/32"
2205S-6	3/8"	9/16"-18	11/16"	39/64"
2205S-8	1/2"	3/4"-16	7/8"	3/4"
2205S-10	5/8"	7/8"-14	1"	7/8"
2205S-12	3/4"	1 1/16"-12	1 1/4"	31/32"
2205S-14	7/8"	1 3/16"-12	1 3/8"	1 1/8"
2205S-16	1"	1 5/16"-12	1 1/2"	1 1/8"
2205S-20	1 1/4"	1 5/8"-12	2"	1 1/4"
2205S-24	1 1/2"	1 7/8"-12	2 1/4"	1 1/2"
2205S-32	2"	2 1/2"-12	2 7/8"	1 7/8"

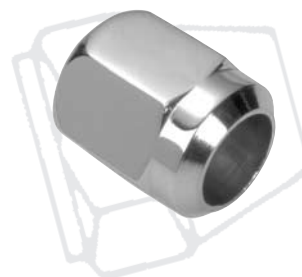
2205-S
TWO PIECE TUBE SHORT NUT



2205 • Two Piece Tube Nut

Part No.	Tube O.D.	J.I.C. Thread	Hex Size	Length
2205-4	1/4"	7/16"-20	9/16"	23/32"
2205-5	5/16"	1/2"-20	5/8"	13/16"
2205-6	3/8"	9/16"-18	11/16"	7/8"
2205-8	1/2"	3/4"-16	7/8"	13/32"
2205-10	5/8"	7/8"-14	1"	19/32"
2205-12	3/4"	1 1/16"-12	1 1/4"	1 15/32"
2205-14	7/8"	1 3/16"-12	1 3/8"	1 11/16"
2205-16	1"	1 5/16"-12	1 1/2"	1 25/32"
2205-20	1 1/4"	1 5/8"-12	2"	2 3/32"
2205-24	1 1/2"	1 7/8"-12	2 1/4"	2 1/4"
2205-32	2"	2 1/2"-12	2 7/8"	3"

2205
TWO PIECE TUBE NUT



37° FLARE TUBE FITTINGS

C O M P O N E N T S

3208 37° FLARE BULKHEAD NUT



3208 • 37° Flare Bulkhead Nut

Part No.	Tube O.D.	J.I.C. Thread	Hex Size	Length
3208-4	1/4"	7/16"-20	11/16"	1/4"
3208-5	5/16"	1/2"-20	3/4"	1/4"
3208-6	3/8"	9/16"-18	13/16"	17/64"
3208-8	1/2"	3/4"-16	1"	5/16"
3208-10	5/8"	7/8"-14	1 1/8"	23/32"
3208-12	3/4"	1 1/16"-12	1 3/8"	13/32"
3208-14	7/8"	1 3/16"-12	1 1/2"	13/32"
3208-16	1"	1 5/16"-12	1 5/8"	13/32"
3208-20	1 1/4"	1 5/8"-12	1 7/8"	13/32"
3208-24	1 1/2"	1 7/8"-12	2 1/8"	13/32"
3208-32	2"	2 1/2"-12	2 3/4"	13/32"

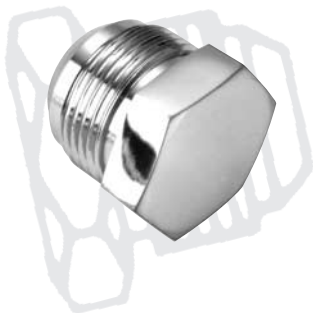
2205-C • CAP NUT TO CAP FLARED FITTING TUBE END



2205-C • Cap Nut to Cap Flared Fitting Tube End

Part No.	Tube O.D.	J.I.C. Thread	Hex Size	Length
2205C-2	1/8"	5/16"-24	3/8"	1/2"
2205C-3	3/16"	3/8"-24	1/2"	9/16"
2205C-4	1/4"	7/16"-20	9/16"	19/32"
2205C-5	5/16"	1/2"-20	5/8"	39/64"
2205C-6	3/8"	9/16"-18	11/16"	5/8"
2205C-8	1/2"	3/4"-16	7/8"	3/4"
2205C-10	5/8"	7/8"-14	1"	27/32"
2205C-12	3/4"	1 1/16"-12	1 1/4"	29/32"
2205C-14	7/8"	1 3/16"-12	1 3/8"	31/32"
2205C-16	1"	1 5/16"-12	1 1/2"	1 1/16"
2205C-20	1 1/4"	1 5/8"-12	2"	1 1/16"
2205C-24	1 1/2"	1 7/8"-12	1 1/4"	1 3/16"
2205C-32	2"	2 1/2"-12	2 7/8"	1 7/16"

3105-P • TUBE PLUG SCREWS INTO NUT TO PLUG LINE



3105-P • Tube Plug Screws Into Nut to Plug Line

Part No.	Tube O.D.	J.I.C. Thread	Hex Size	Length
3105P-4	1/4"	7/16"-20	1/2"	47/64"
3105P-5	5/16"	1/2"-20	9/16"	49/64"
3105P-6	3/8"	9/16"-18	5/8"	13/16"
3105P-8	1/2"	3/4"-16	13/16"	15/16"
3105P-10	5/8"	7/8"-14	1 5/16"	1 7/64"
3105P-12	3/4"	1 1/16"-12	1 1/8"	1 13/64"
3105P-14	7/8"	1 3/16"-12	1 1/4"	1 15/64"
3105P-16	1"	1 5/16"-12	1 3/8"	1 9/32"
3105P-20	1 1/4"	1 5/8"-12	1 11/16"	1 25/64"
3105P-24	1 1/2"	1 7/8"-12	2"	1 31/64"
3105P-32	2"	2 1/2"-12	2 5/8"	2 3/64"

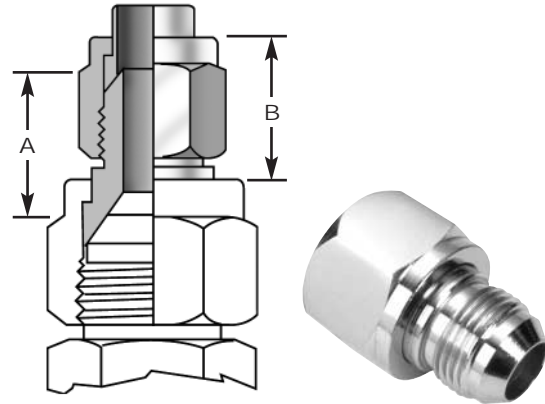
ADAPTERS

STEEL PIPE FITTINGS

3145 / 3140 • Flare Tube End Reducers

Reducer Only	Part No.	Tube End Reduction	"A" Length Between Flare Noses	"B" Length Between Nut Shoulders
3145-5-4	3140-5-4	5/16" To 1/4"	13/16"	23/32"
3145-6-4	3140-6-4	3/8" To 1/4"	29/32"	27/32"
3145-8-4	3140-8-4	1/2" To 1/4"	29/32"	25/32"
3145-8-5	3140-8-5	1/2" To 5/16"	29/32"	27/32"
3145-8-6	3140-8-6	1/2" To 3/8"	29/32"	27/32"
3145-10-4	3140-10-4	5/8" To 1/4"	15/16"	3/4"
3145-10-6	3140-10-6	5/8" To 3/8"	15/16"	13/16"
3145-10-8	3140-10-8	5/8" To 1/2"	1"	31/32"
3145-12-4	3140-12-4	3/4" To 1/4"	31/32"	7/8"
3145-12-6	3140-12-6	3/4" To 3/8"	31/32"	29/32"
3145-12-8	3140-12-8	3/4" To 1/2"	11/16"	11/32"
3145-12-10	3140-12-10	3/4" To 5/8"	11/32"	11/8"
3145-14-6	3140-14-6	7/8" To 3/8"	1"	7/8"
3145-14-8	3140-14-8	7/8" To 1/2"	13/32"	1"
3145-14-10	3140-14-10	7/8" To 5/8"	13/16"	15/32"
3145-14-12	3140-14-12	7/8" To 3/4"	17/32"	13/16"
3145-16-5	3140-16-5	1" To 5/16"	1"	29/32"
3145-16-6	3140-16-6	1" To 3/8"	11/32"	7/8"
3145-16-8	3140-16-8	1" To 1/2"	15/32"	11/32"
3145-16-10	3140-16-10	1" To 5/8"	11/4"	13/16"
3145-16-12	3140-16-12	1" To 3/4"	111/32"	11/4"
3145-20-8	3140-20-8	11/4" To 1/2"	13/16"	11/8"
3145-20-12	3140-20-12	11/4" To 3/4"	113/32"	19/32"
3145-20-16	3140-20-16	11/4" To 1"	17/16"	113/32"
3145-24-8	3140-24-8	11/2" To 1/2"	15/16"	11/16"
3145-24-10	3140-24-10	11/2" To 5/8"	11/2"	17/32"
3145-24-12	3140-24-12	11/2" To 3/4"	11/2"	11/4"
3145-24-16	3140-24-16	11/2" To 1"	111/16"	13/8"
3145-24-20	3140-24-20	11/2" To 11/4"	19/16"	17/16"
3145-32-16	3140-32-16	2" To 1"	19/16"	17/16"
3145-32-20	3140-32-20	2" To 11/4"	111/16"	11/2"
3145-32-24	3140-32-24	2" To 11/2"	113/16"	13/4"

3140 FLARE TUBE END REDUCERS



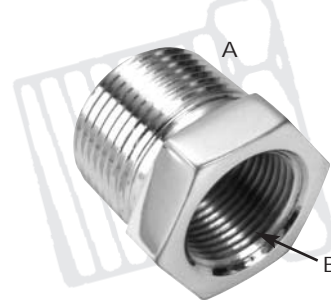
Lenz Flare Tube End Reducers make possible line reductions on any leg by use of standard adapters. Saves time and simplifies tubing systems. Eliminates large inventory of special fittings and sizes and possibility of obsolescence.

Part numbers shown in table include body, nut and sleeve. For reducers without nut and sleeve order by Part Number 3145.

HB • Hex Bushings

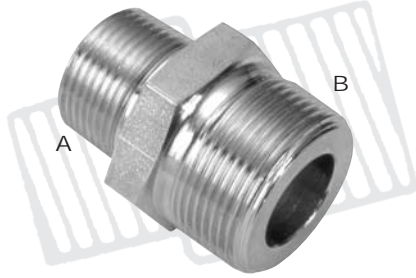
Part No.	"A" Male Pipe Thread	"B" Female Pipe Thread	Hex Size	Length
4-2HB	1/4"	1/8"	5/8"	27/32"
6-2HB	3/8"	1/8"	3/4"	27/32"
6-4HB	3/8"	1/4"	3/4"	27/32"
8-2HB	1/2"	1/8"	7/8"	17/64"
8-4HB	1/2"	1/4"	7/8"	17/64"
8-6HB	1/2"	3/8"	7/8"	17/64"
12-2HB	3/4"	1/8"	11/8"	13/16"
12-4HB	3/4"	1/4"	11/8"	13/16"
12-6HB	3/4"	3/8"	11/8"	13/16"
12-8HB	3/4"	1/2"	11/8"	111/64"
16-4HB	1"	1/4"	13/8"	123/64"
16-6HB	1"	3/8"	13/8"	123/64"
16-8HB	1"	1/2"	13/8"	123/64"
16-12HB	1"	3/4"	13/8"	123/64"
20-4HB	11/4"	1/4"	13/4"	115/32"
20-6HB	11/4"	3/8"	13/4"	115/32"
20-8HB	11/4"	1/2"	13/4"	115/32"
20-12HB	11/4"	3/4"	13/4"	115/32"
20-16HB	11/4"	1"	13/4"	115/32"
24-4HB	11/2"	1/4"	2"	137/64"
24-6HB	11/2"	3/8"	2"	137/64"
24-8HB	11/2"	1/2"	2"	137/64"
24-12HB	11/2"	3/4"	2"	137/64"
24-16HB	11/2"	1"	2"	137/64"
24-20HB	11/2"	11/4"	2"	137/64"
32-6HB	2"	3/8"	21/2"	13/4"
32-8HB	2"	1/2"	21/2"	13/4"
32-12HB	2"	3/4"	21/2"	13/4"
32-16HB	2"	1"	21/2"	13/4"
32-20HB	2"	11/4"	21/2"	13/4"
32-24HB	2"	11/2"	21/2"	13/4"

HB HEX BUSHINGS



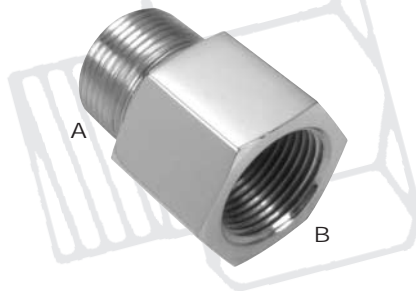
ADAPTERS

T A P E R E D P I P E T H R E A D

RPN
REDUCING
PIPE NIPPLES

RPN • Reducing Pipe Nipples

Part No.	"A" Male Pipe Thread	"B" Male Pipe Thread	Hex Size	Length
2-4RPN	1/8"	1/4"	9/16"	17/32"
2-6RPN	1/8"	3/8"	11/16"	11/4"
4-6RPN	1/4"	3/8"	11/16"	113/32"
4-8RPN	1/4"	1/2"	7/8"	15/8"
6-8RPN	3/8"	1/2"	7/8"	15/8"
6-12RPN	3/8"	3/4"	11/16"	111/16"
8-12RPN	1/2"	3/4"	11/16"	17/8"
8-16RPN	1/2"	1"	13/8"	23/32"
12-16RPN	3/4"	1"	13/8"	23/32"
12-20RPN	3/4"	1 1/4"	13/4"	23/32"
16-20RPN	1"	1 1/4"	13/4"	2 11/32"
16-24RPN	1"	1 1/2"	2"	27/16"
20-24RPN	1 1/4"	1 1/2"	2"	2 15/32"
20-32RPN	1 1/4"	2"	2 1/2"	2 21/32"
24-32RPN	1 1/2"	2"	2 1/2"	2 11/16"

PRC
PIPE REDUCING
CONNECTORS

PRC • Pipe Reducing Connectors

Part No.	"A" Male Pipe Thread	"B" Female Pipe Thread	Hex Size	Length
2-4PRC	1/8"	1/4"	3/4"	13/32"
2-6PRC	1/8"	3/8"	7/8"	19/32"
4-4PRC	1/4"	1/4"	3/4"	15/16"
4-2PRC	1/4"	1/8"	5/8"	1"
4-6PRC	1/4"	3/8"	7/8"	11/2"
4-8PRC	1/4"	1/2"	11/8"	15/8"
6-6PRC	3/8"	3/8"	7/8"	13/8"
6-4PRC	3/8"	1/4"	3/4"	11/4"
6-8PRC	3/8"	1/2"	11/8"	15/8"
6-12PRC	3/8"	3/4"	13/8"	13/4"
8-8PRC	1/2"	1/2"	11/8"	113/16"
8-4PRC	1/2"	1/4"	7/8"	11/2"
8-6PRC	1/2"	3/8"	7/8"	1 11/16"
8-12PRC	1/2"	3/4"	13/8"	1 15/16"
8-16PRC	1/2"	1"	15/8"	23/16"
12-12PRC	3/4"	3/4"	13/8"	1 27/32"
12-6PRC	3/4"	3/8"	11/16"	1 1/2"
12-8PRC	3/4"	1/2"	11/8"	19/16"
12-16PRC	3/4"	1"	15/8"	23/16"
12-20PRC	3/4"	1 1/4"	2"	2 11/32"
16-16PRC	1"	1"	15/8"	2 1/4"
16-8PRC	1"	1/2"	13/8"	15/8"
16-12PRC	1"	3/4"	13/8"	1 15/16"
16-20PRC	1"	1 1/4"	2"	2 13/32"
20-20PRC	1 1/4"	1 1/4"	2"	2 3/8"
20-12PRC	1 1/4"	3/4"	13/4"	2"
20-16PRC	1 1/4"	1"	13/4"	2 1/8"
20-24PRC	1 1/4"	1 1/2"	2 3/8"	2 9/16"
24-24PRC	1 1/2"	1 1/2"	2 3/8"	2 13/32"
24-20PRC	1 1/2"	1 1/4"	2"	2 1/4"
24-32PRC	1 1/2"	2"	3"	2 3/4"
32-32PRC	2"	2"	3"	2 3/4"
32-20PRC	2"	1 1/4"	2 1/2"	2 3/8"

ADAPTERS

TAPERED PIPE THREADS

PN • Pipe Nipples

Part No.	Male Pipe Thread	Hex Size	Length	Bore
2PN	1/8"	7/16"	15/16"	3/16"
4PN	1/4"	9/16"	13/8"	9/32"
6PN	3/8"	11/16"	113/32"	13/32"
8PN	1/2"	7/8"	113/16"	35/64"
12PN	3/4"	11/16"	17/8"	23/32"
16PN	1"	13/8"	27/32"	15/16"
20PN	11/4"	13/4"	213/32"	11/4"
24PN	11/2"	2"	219/32"	115/32"
32PN	2"	21/2"	213/16"	13/4"

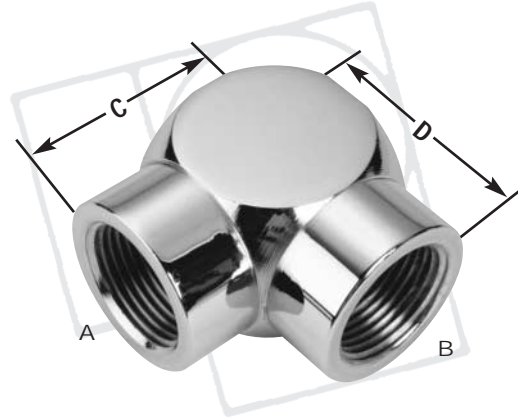
PN PIPE NIPPLES



FPE • Female Pipe Elbows

Part No.	"A" Female Pipe Thread	"B" Female Pipe Thread	"C" Female Pipe Leg	"D" Female Pipe Leg
2-2FPE	1/8"	1/8"	21/32"	21/32"
2-4FPE	1/8"	1/4"	25/32"	29/32"
2-6FPE	1/8"	3/8"	27/32"	31/32"
4-4FPE	1/4"	1/4"	29/32"	29/32"
4-6FPE	1/4"	3/8"	31/32"	31/32"
4-8FPE	1/4"	1/2"	11/32"	11/4"
6-6FPE	3/8"	3/8"	31/32"	31/32"
6-8FPE	3/8"	1/2"	11/32"	11/4"
6-12FPE	3/8"	3/4"	15/32"	111/32"
8-8FPE	1/2"	1/2"	11/4"	11/4"
8-12FPE	1/2"	3/4"	13/8"	111/32"
8-16FPE	1/2"	1"	19/16"	15/8"
12-12FPE	3/4"	3/4"	111/32"	111/32"
12-16FPE	3/4"	1"	117/32"	15/8"
12-20FPE	3/4"	11/4"	123/32"	111/16"
16-16FPE	1"	1"	15/8"	15/8"
16-20FPE	1"	11/4"	113/16"	111/16"
16-24FPE	1"	11/2"	115/16"	21/16"
20-20FPE	11/4"	11/4"	111/16"	111/16"
20-24FPE	11/4"	11/2"	113/16"	21/16"
24-24FPE	11/2"	11/2"	21/16"	21/16"
32-32FPE	2"	2"	23/8"	23/8"

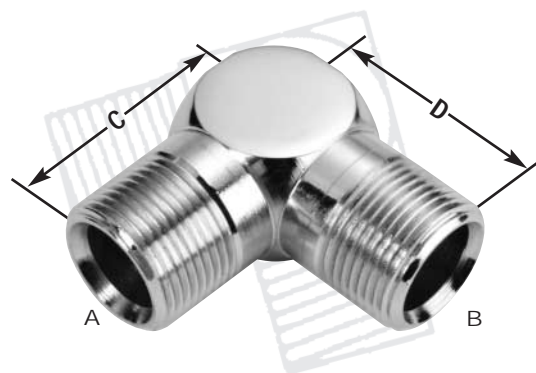
FPE FEMALE PIPE ELBOWS



MPE • Male Pipe Elbows

Part No.	"A" Male Pipe Thread	"B" Male Pipe Thread	"C" Male Pipe Leg	"D" Male Pipe Leg
2-2MPE	1/8"	1/8"	25/32"	25/32"
2-4MPE	1/8"	1/4"	27/32"	13/32"
4-4MPE	1/4"	1/4"	13/32"	13/32"
4-6MPE	1/4"	3/8"	15/32"	17/32"
6-6MPE	3/8"	3/8"	17/32"	17/32"
6-8MPE	3/8"	1/2"	19/32"	115/32"
8-8MPE	1/2"	1/2"	115/32"	115/32"
8-12MPE	1/2"	3/8"	119/32"	119/32"
12-12MPE	3/4"	3/4"	119/32"	119/32"
12-16MPE	3/4"	1"	123/32"	131/32"
16-16MPE	1"	1"	131/32"	131/32"
20-20MPE	11/4"	11/4"	23/8"	23/8"
24-24MPE	11/2"	11/2"	25/8"	25/8"
32-32MPE	2"	2"	3"	3"

MPE MALE PIPE ELBOWS



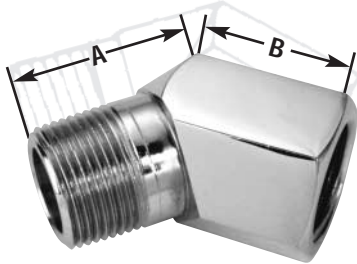
ADAPTERS

TAPERED PIPE THREAD

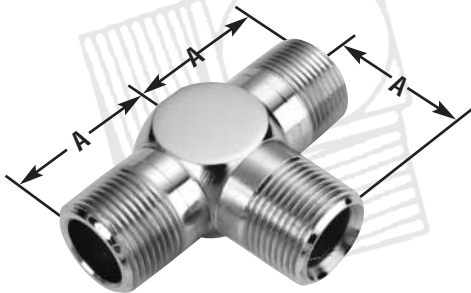
**SE
STREET ELBOWS**



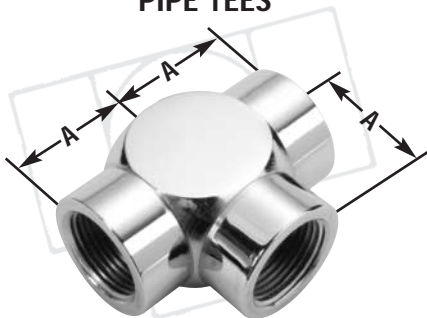
**45 SE
45° STREET ELBOWS**



**MPT
MALE PIPE TEE**



**PT
PIPE TEES**



SE • Street Elbows

Part No.	Male Pipe Thread	Female Pipe Thread	"A" Male Pipe Leg	"B" Female Pipe Leg
2-2SE	1/8"	1/8"	13/16"	21/32"
2-4SE	1/8"	1/4"	15/16"	29/32"
2-6SE	1/8"	3/8"	1"	31/32"
4-4SE	1/4"	1/4"	13/16"	29/32"
4-2SE	1/4"	1/8"	11/16"	21/32"
4-6SE	1/4"	3/8"	1 1/4"	31/32"
6-6SE	3/8"	3/8"	1 5/16"	31/32"
6-4SE	3/8"	1/4"	1 3/16"	29/32"
6-8SE	3/8"	1/2"	1 3/8"	1 1/4"
8-8SE	1/2"	1/2"	1 1/2"	1 1/4"
8-6SE	1/2"	3/8"	1 7/16"	31/32"
8-12SE	1/2"	3/4"	1 5/8"	1 11/32"
12-12SE	3/4"	3/4"	1 21/32"	1 11/32"
12-8SE	3/4"	1/2"	1 17/32"	1 1/4"
12-16SE	3/4"	1"	1 25/32"	1 5/8"
16-16SE	1"	1"	2 1/16"	1 5/8"
16-12SE	1"	3/4"	1 7/8"	1 11/32"
16-20SE	1"	1 1/4"	2 9/32"	1 11/16"
20-20SE	1 1/4"	1 1/4"	2 1/2"	1 11/16"
24-24SE	1 1/2"	1 1/2"	2 3/4"	2 1/16"
32-32SE	2"	2"	3 1/8"	2 3/8"

45 • SE 45° Street Elbows

Part No.	Male Pipe Thread	Female Pipe Thread	"A" Male Pipe Leg	"B" Female Pipe Leg
2-45SE	1/8"	1/8"	1 1/16"	5/8"
4-45SE	1/4"	1/4"	1 5/16"	27/32"
6-45SE	3/8"	3/8"	1"	31/32"
8-45SE	1/2"	1/2"	1 1/4"	1 3/32"
12-45SE	3/4"	3/4"	1 11/32"	1 1/4"
16-45SE	1"	1"	1 11/16"	1 7/16"
20-45SE	1 1/4"	1 1/4"	1 13/16"	1 5/8"
24-45SE	1 1/2"	1 1/2"	1 31/32"	1 11/16"
32-45SE	2"	2"	2 15/32"	2 3/16"

MPT • Male Pipe Tee

Part No.	"A" Male Pipe Thread	"A" Male Pipe Leg
2MPT	1/8"	25/32"
4MPT	1/4"	13/32"
6MPT	3/8"	17/32"
8MPT	1/2"	1 15/32"
12MPT	3/4"	1 19/32"
16MPT	1"	1 31/32"
20MPT	1 1/4"	2 3/8"

PT • Pipe Tees

Part No.	"A" Female Pipe Thread	"A" Female Pipe Leg
2PT	1/8"	21/32"
4PT	1/4"	29/32"
6PT	3/8"	31/32"
8PT	1/2"	1 1/4"
12PT	3/4"	1 11/32"
16PT	1"	1 5/8"
20PT	1 1/4"	1 11/16"
24PT	1 1/2"	2 1/16"
32PT	2"	2 3/8"

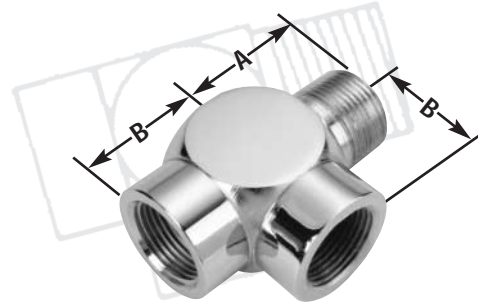
ADAPTERS

T A P E R E D P I P E T H R E A D

ST • Street Tees

Part No.	Male Pipe Thread	Female Pipe Thread	"A" Male Pipe Leg	"B" Female Pipe Leg
2ST	1/8"	1/8"	13/16"	21/32"
4ST	1/4"	1/4"	13/16"	29/32"
6ST	3/8"	3/8"	15/16"	31/32"
8ST	1/2"	1/2"	1 1/2"	1 1/4"
12ST	3/4"	3/4"	1 21/32"	1 11/32"
16ST	1"	1"	2 1/16"	1 5/8"
20ST	1 1/4"	1 1/4"	2 1/2"	1 11/16"
24ST	1 1/2"	1 1/2"	2 3/4"	2 1/16"
32ST	2"	2"	3 1/8"	2 3/8"

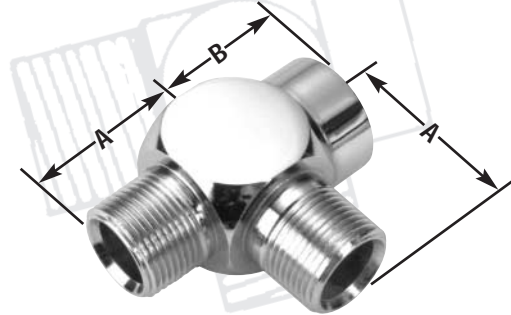
ST
STREET TEES



MST • Male Street Tee

Part No.	Male Pipe Thread	Female Pipe Thread	"A" Male Pipe Leg	"B" Female Pipe Leg
2MST	1/8"	1/8"	13/16"	21/32"
4MST	1/4"	1/4"	13/16"	29/32"
6MST	3/8"	3/8"	15/16"	31/32"
8MST	1/2"	1/2"	1 1/2"	1 1/4"
12MST	3/4"	3/4"	1 21/32"	1 11/32"
16MST	1"	1"	2 1/16"	1 5/8"
20MST	1 1/4"	1 1/4"	2 1/2"	1 11/16"

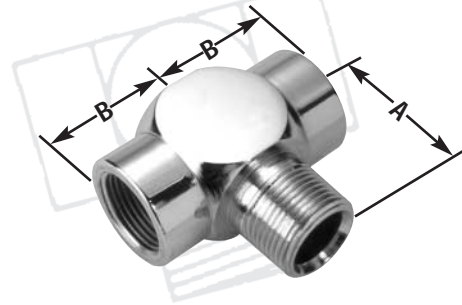
MST
MALE STREET TEE



FRT • Female Run Tee

Part No.	Male Pipe Thread	Female Pipe Thread	"A" Male Pipe Leg	"B" Female Pipe Leg
2FRT	1/8"	1/8"	13/16"	21/32"
4FRT	1/4"	1/4"	13/16"	29/32"
6FRT	3/8"	3/8"	15/16"	31/32"
8FRT	1/2"	1/2"	1 1/2"	1 1/4"
12FRT	3/4"	3/4"	1 21/32"	1 11/32"
16FRT	1"	1"	1 5/8"	1 5/8"
20FRT	1 1/4"	1 1/4"	2 1/2"	1 11/16"
24FRT	1 1/2"	1 1/2"	2 3/4"	2 1/16"

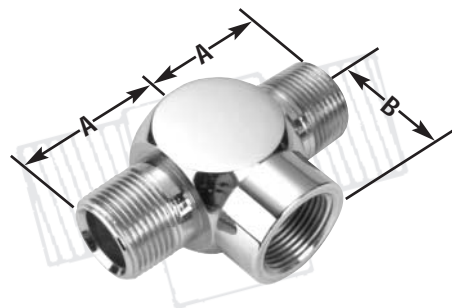
FRT
FEMALE RUN TEE



MRT Male Run Tee

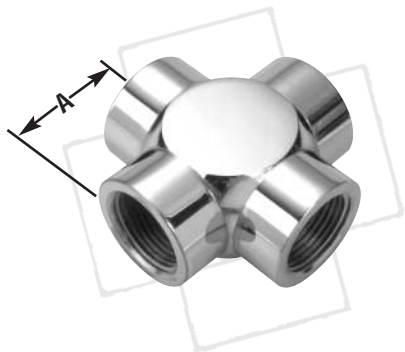
Part No.	Male Pipe Thread	Female Pipe Thread	"A" Male Pipe Leg	"B" Female Pipe Leg
2MRT	1/8"	1/8"	13/16"	21/32"
4MRT	1/4"	1/4"	13/16"	29/32"
6MRT	3/8"	3/8"	15/16"	31/32"
8MRT	1/2"	1/2"	1 1/2"	1 1/4"
12MRT	3/4"	3/4"	1 21/32"	1 11/32"
16MRT	1"	1"	2 1/16"	1 5/8"
20MRT	1 1/4"	1 1/4"	2 1/2"	1 11/16"

MRT
MALE RUN TEE



ADAPTERS

PIPE FITTINGS

FPC
FEMALE PIPE CROSS

FPC • Female Pipe Cross

Part No.	Female Pipe Thread	"A" Female Pipe Leg
2FPC	1/8"	21/32"
4FPC	1/4"	29/32"
6FPC	3/8"	31/32"
8FPC	1/2"	11/4"
12FPC	3/4"	111/32"
16FPC	1"	15/8"
20FPC	11/4"	111/16"
24FPC	11/2"	21/16"
32FPC	2"	23/8"

PC
PIPE COUPLINGS

PC • Pipe Couplings

Part No.	Female Pipe Thread	Hex Size	Length
2PC	1/8"	5/8"	7/8"
4PC	1/4"	3/4"	1 1/8"
6PC	3/8"	15/16"	17/32"
8PC	1/2"	1 1/8"	1 5/8"
12PC	3/4"	1 3/8"	1 11/16"
16PC	1"	1 5/8"	1 15/16"
20PC	1 1/4"	2"	2"
24PC	1 1/2"	2 3/8"	2 1/16"
32PC	2"	3"	2 1/16"

RPC
REDUCING PIPE COUPLINGS

RPC • Reducing Pipe Couplings

Part No.	"A" Female Pipe Thread	"B" Female Pipe Thread	Hex Size	Length
4-2RPC	1/4"	1/8"	3/4"	1"
6-4RPC	3/8"	1/4"	1"	1 3/16"
8-4RPC	1/2"	1/4"	1 1/8"	1 15/32"
8-6RPC	1/2"	3/8"	1 1/8"	1 15/32"
12-8RPC	3/4"	1/2"	1 3/8"	1 21/32"

PU
PIPE UNIONS

PU • Pipe Unions

Part No.	Female Pipe Thread	Hex Size	Length
2PU	1/8"	1 1/8"	1 11/16"
4PU	1/4"	1 3/8"	1 27/32"
6PU	3/8"	1 5/8"	2"
8PU	1/2"	1 7/8"	2 3/16"
12PU	3/4"	2 1/8"	2 11/32"
16PU	1"	2 3/8"	2 1/2"
20PU	1 1/4"	2 7/8"	2 5/8"
24PU	1 1/2"	3 1/4" OCT.	2 15/16"
32PU	2"	4" OCT.	3 1/4"

ADAPTERS

PIPE FITTINGS

HHP • Hollow Hex Plugs

Part No.	Male Pipe Thread	Internal Hex	Length
2HHP	1/8"	3/16"	3/8"
4HHP	1/4"	1/4"	7/16"
6HHP	3/8"	5/16"	1/2"
8HHP	1/2"	3/8"	9/16"
12HHP	3/4"	9/16"	5/8"
16HHP	1"	5/8"	3/4"
20HHP	1 1/4"	3/4"	13/16"
24HHP	1 1/2"	1"	53/64"
32HHP	2"	1"	15/16"

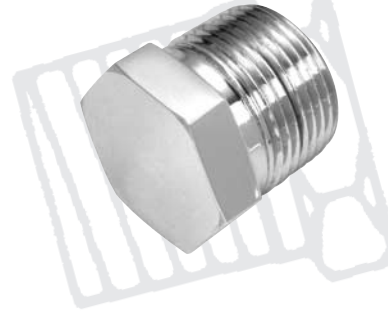
HHP HOLLOW HEX PLUGS



HP • Hex Plugs

Part No.	Male Pipe Thread	Hex Size	Length
2HP	1/8"	7/16"	9/16"
4HP	1/4"	5/8"	25/32"
6HP	3/8"	3/4"	25/32"
8HP	1/2"	7/8"	31/32"
12HP	3/4"	1 1/8"	1 1/16"
16HP	1"	1 3/8"	1 1/4"
20HP	1 1/4"	1 3/4"	1 5/16"
24HP	1 1/2"	2"	1 5/16"
32HP	2"	2 1/2"	1 3/4"

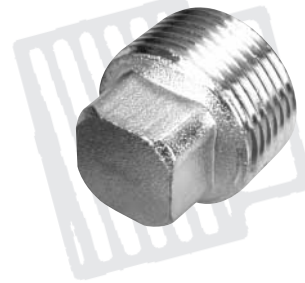
HP HEX PLUGS



SHP • Square Head Plugs

Part No.	Male Pipe Thread	Square Size	Length
2SHP	1/8"	9/32"	5/8"
4SHP	1/4"	3/8"	25/32"
6SHP	3/8"	7/16"	13/16"
8SHP	1/2"	9/16"	1 1/32"
12SHP	3/4"	5/8"	1 1/16"
16SHP	1"	13/16"	29/32"

SHP SQUARE HEAD PLUGS

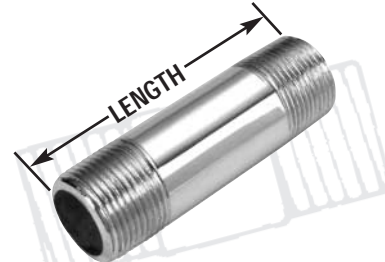


SPN • Seamless Pipe Nipples

Part No.	Male Pipe Thread	"L" Close Nipple Length	Length* to 6" x 1/2" Increments
2SPN x L	1/8"	3/4"	1 1/2"-6"
4SPN x L	1/4"	7/8"	1 1/2"-6"
6SPN x L	3/8"	1"	1 1/2"-6"
8SPN x L	1/2"	1 1/8"	1 1/2"-6"
12SPN x L	3/4"	1 3/8"	2"-6"
16SPN x L	1"	1 1/2"	2"-6"
20SPN x L	1 1/4"	1 5/8"	2"-6"
24SPN x L	1 1/2"	1 3/4"	2 1/2"-6"
32SPN x L	2"	2"	2 1/2"-6"

Example of Part No.: 8SPN x 3"

SPN SEAMLESS PIPE NIPPLES- EXTRA HEAVY PIPE



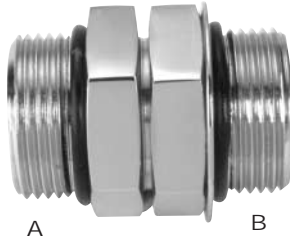
*Longer lengths available upon request.

ADAPTERS

STRAIGHT THREADS

AAU

S.A.E. MALE X S.A.E. MALE UNION



AAU • S.A.E. Male x S.A.E. Male Union

Part Number	"A" Straight Thread Male	"B" Straight Thread Male	Overall Length
4-AAU	7/16"-20	7/16"-20	17/32"
6-AAU	9/16"-18	9/16"-18	113/32"
8-AAU	3/4"-16	3/4"-16	19/16"
10-AAU	7/8"-14	7/8"-14	113/16"
12-AAU	11/16"-12	11/16"-12	21/8"
16-AAU	15/16"-12	15/16"-12	21/8"
20-AAU	15/8"-12	15/8"-12	21/8"
24-AAU	17/8"-12	17/8"-12	227/64"
32-AAU	21/2"-12	21/2"-12	219/32"

ASE

S.A.E. MALE X FEMALE PIPE ELBOW

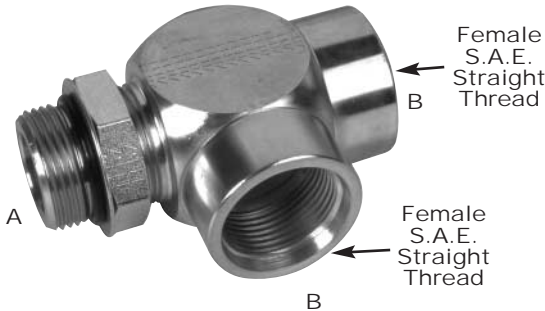


ASE • S.A.E. Male x Female Pipe Elbow

Part Number	"A" Straight Thread Male	"B" Female Pipe N.P.T.
4-4ASE	7/16"-20	1/4" NPT
6-6ASE	9/16"-18	3/8" NPT
8-8ASE	3/4"-16	1/2" NPT
12-12ASE	11/16"-12	3/4" NPT
16-16ASE	15/16"-12	1" NPT
20-20ASE	15/8"-12	11/4" NPT
24-24ASE	17/8"-12	11/2" NPT
32-32ASE	21/2"-12	2" NPT

AST

S.A.E. MALE X S.A.E. FEMALE X S.A.E. FEMALE

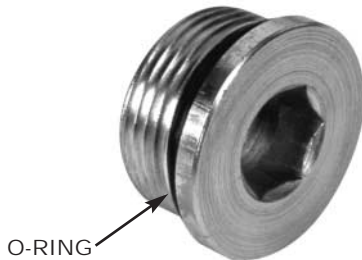


AST • S.A.E. MALE x S.A.E. FEMALE x S.A.E. FEMALE

Part Number	"A" Straight Thread Male	"B" Straight Thread Female S.A.E.
4-4AST	7/16"-20	7/16"-20
6-6AST	9/16"-18	9/16"-18
8-8AST	3/4"-16	3/4"-16
12-12AST	11/16"-12	11/16"-12
16-16AST	15/16"-12	15/16"-12
20-20AST	15/8"-12	15/8"-12
24-24AST	17/8"-12	17/8"-12
32-32AST	21/2"-12	21/2"-12

AHHP

"O" RING HOLLOW HEX PLUG



AHHP • "O" Ring Hollow Hex Plug

Part Number	Male Straight Thread	Length
4-AHHP	7/16"-20	15/32"
6-AHHP	9/16"-18	1/2"
8-AHHP	3/4"-16	37/64"
10-AHHP	7/8"-14	37/64"
12-AHHP	11/16"-12	49/64"
16-AHHP	15/16"-12	49/64"
20-AHHP	15/8"-12	49/64"
24-AHHP	17/8"-12	49/64"
32-AHHP	21/2"-12	49/64"

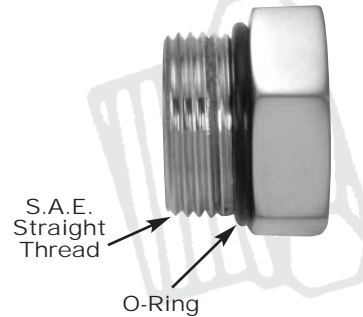
ADAPTERS

STRAIGHT THREADS

STP • S.A.E. Straight Thread Plug

Part No.	Male Straight Thread	Length
4STP	7/16"-20	43/64"
5STP	1/2"-20	43/64"
6STP	9/16"-18	47/64"
8STP	3/4"-16	51/64"
10STP	7/8"-14	15/16"
12STP	1 1/16"-12	13/32"
14STP	1 3/16"-12	13/32"
16STP	1 5/16"-12	113/64"
20STP	1 5/8"-12	113/64"
24STP	1 7/8"-12	117/64"
32STP	2 1/2"-12	17/16"

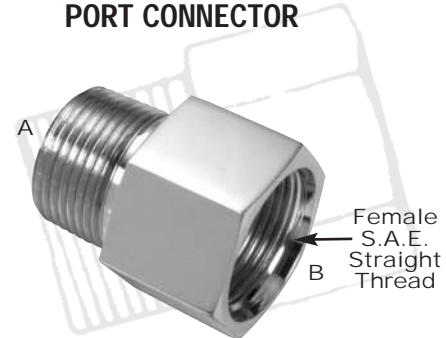
STP S.A.E. STRAIGHT THREAD PLUG WITH "O-RING" TO PLUG STRAIGHT THREAD BOSS *(Not counter-bored)*



PAC • Male Pipe Thread to S.A.E. Straight Thread Port Connector

Part No.	"A" Male Pipe Thread	"B" Female Straight Thread	Overall Length
2-4PAC	1/8"	7/16"-20	13/8"
2-5PAC	1/8"	1/2"-20	13/8"
4-6PAC	1/4"	9/16"-18	19/16"
6-8PAC	3/8"	3/4"-16	19/16"
8-10PAC	1/2"	7/8"-14	113/16"
12-12PAC	3/4"	1 1/16"-12	131/32"
12-14PAC	3/4"	1 3/16"-12	21/32"
16-16PAC	1"	1 5/16"-12	25/32"
20-20PAC	1 1/4"	1 5/8"-12	2 1/4"
24-24PAC	1 1/2"	1 7/8"-12	29/32"
32-32PAC	2"	2 1/2"-12	25/16"

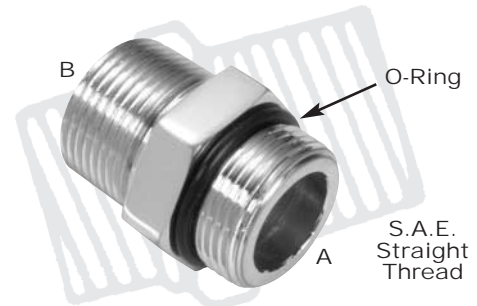
PAC MALE PIPE THREAD TO S.A.E. STRAIGHT THREAD PORT CONNECTOR



APN • Male Connector S.A.E. Straight Thread to Male Pipe Thread

Part No.	"A" Male Straight Thread	"B" Male Pipe Thread	Overall Length
4-2APN	7/16"-20	1/8"	1"
4-4APN	7/16"-20	1/4"	13/16"
5-2APN	1/2"-20	1/8"	1"
5-4APN	1/2"-20	1/4"	13/16"
6-4APN	9/16"-18	1/4"	1 1/4"
6-2APN	9/16"-18	1/8"	11/32"
6-6APN	9/16"-18	3/8"	1 1/4"
8-6APN	3/4"-16	3/8"	1 5/16"
8-8APN	3/4"-16	1/2"	117/32"
10-8APN	7/8"-14	1/2"	19/16"
12-12APN	1 1/16"-12	3/4"	1 3/4"
14-12APN	1 3/16"-12	3/4"	1 3/4"
16-16APN	1 5/16"-12	1"	115/16"
20-20APN	1 5/8"-12	1 1/4"	2"
24-24APN	1 7/8"-12	1 1/2"	2 1/16"
32-32APN	2 1/2"-12	2"	25/32"

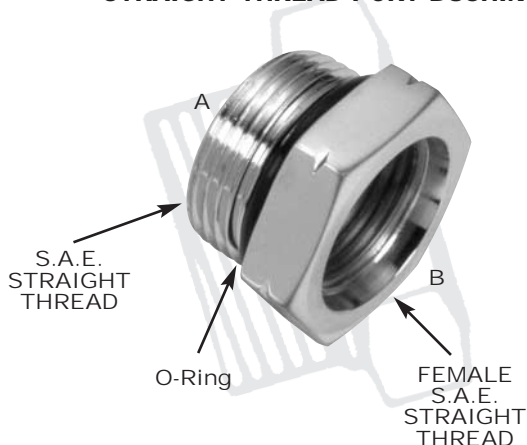
APN MALE CONNECTOR S.A.E. STRAIGHT THREAD TO MALE PIPE THREAD



ADAPTERS

STRAIGHT THREADS

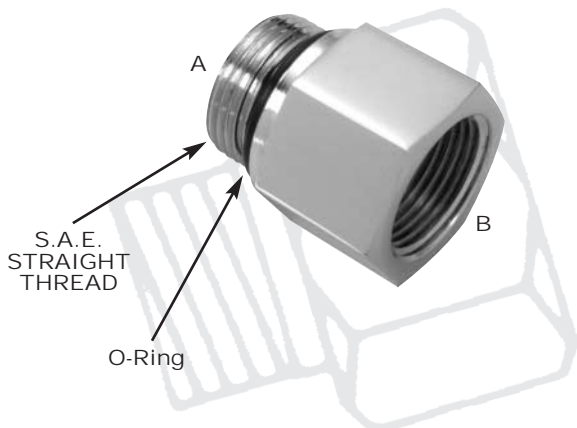
ARC S.A.E. STRAIGHT THREAD TO S.A.E. STRAIGHT THREAD PORT BUSHING



ARC • S.A.E. Straight Thread to S.A.E. Straight Thread Port Bushing

Part No.	"A" Straight Thread Male	"B" Straight Thread Female	Overall Length
4-6ARC	7/16"-20	9/16"-18	1 1/8"
6-4ARC	9/16"-18	7/16"-20	1 1/32"
6-8ARC	9/16"-18	3/4"-16	1 5/16"
8-4ARC	3/4"-16	7/16"-20	3/4"
8-6ARC	3/4"-16	9/16"-18	1 1/8"
10-8ARC	7/8"-14	3/4"-16	1 5/16"
10-12ARC	7/8"-14	1 1/16"-12	1 5/8"
12-8ARC	1 1/16"-12	3/4"-16	1"
12-10ARC	1 1/16"-12	7/8"-14	1 17/32"
14-6ARC	1 3/16"-12	9/16"-18	1"
14-10ARC	1 3/16"-12	7/8"-14	1"
14-12ARC	1 3/16"-12	1 1/16"-12	1 21/32"
16-8ARC	1 5/16"-12	3/4"-16	1"
16-12ARC	1 5/16"-12	1 1/16"-12	1"
16-14ARC	1 5/16"-12	1 3/16"-12	1 21/32"
16-20ARC	1 5/16"-12	1 5/8"-12	1 31/32"
20-10ARC	1 5/8"-12	7/8"-14	1"
20-12ARC	1 5/8"-12	1 1/16"-12	1"
20-16ARC	1 5/8"-12	1 5/16"-12	1"
20-24ARC	1 5/8"-12	1 7/8"-12	1 7/8"
24-16ARC	1 7/8"-12	1 5/16"-12	1"
24-20ARC	1 7/8"-12	1 5/8"-12	1 19/32"
32-20ARC	2 1/2"-12	1 5/8"-12	1"
32-24ARC	2 1/2"-12	1 7/8"-12	1"

APC FEMALE CONNECTOR S.A.E. STRAIGHT THREAD TO FEMALE PIPE THREAD



APC • Female Connector S.A.E. Straight Thread To Female Pipe Thread

Part No.	"A" Male Straight Thread	"B" Female Pipe Thread	Overall Length
4-2APC	7/16"-20	1/8"	1"
4-4APC	7/16"-20	1/4"	1 13/32"
5-2APC	1/2"-20	1/8"	1"
6-4APC	9/16"-18	1/4"	1 3/16"
8-6APC	3/4"-16	3/8"	1 5/16"
8-4APC	3/4"-16	1/4"	1 9/64"
8-8APC	3/4"-16	1/2"	1 17/32"
10-8APC	7/8"-14	1/2"	1 35/64"
10-4APC	7/8"-14	1/4"	1 3/16"
10-6APC	7/8"-14	3/8"	1 9/32"
10-12APC	7/8"-14	3/4"	1 21/32"
12-12APC	1 1/16"-12	3/4"	1 11/16"
12-6APC	1 1/16"-12	3/8"	1"
12-8APC	1 1/16"-12	1/2"	1 15/32"
14-12APC	1 3/16"-12	3/4"	1 5/8"
14-8APC	1 3/16"-12	1/2"	1"
16-16APC	1 5/16"-12	1"	1 29/32"
16-6APC	1 5/16"-12	3/8"	1"
16-8APC	1 5/16"-12	1/2"	1"
16-12APC	1 5/16"-12	3/4"	1 11/16"
20-20APC	1 5/8"-12	1 1/4"	2"
20-12APC	1 5/8"-12	3/4"	1"
20-16APC	1 5/8"-12	1"	1"
24-24APC	1 7/8"-12	1 1/2"	2 3/32"
24-20APC	1 7/8"-12	1 1/4"	1 29/32"
32-32APC	2 1/2"-12	2"	2 1/32"

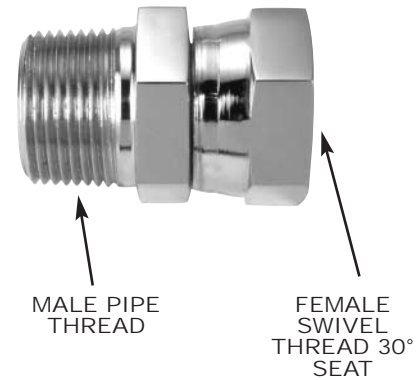
ADAPTERS

T A P E R E D P I P E T H R E A D

M-UAD • Male Union Swivel Adapter

Part No.	Male Pipe Thread	Female Swivel Thread	Deduct From Assembly O.A.L.
2M-2UAD	1/8"	1/8"	27/32"
2M-4UAD	1/8"	1/4"	1"
4M-4UAD	1/4"	1/4"	17/32"
4M-6UAD	1/4"	3/8"	19/32"
6M-4UAD	3/8"	1/4"	19/32"
6M-6UAD	3/8"	3/8"	19/32"
6M-8UAD	3/8"	1/2"	111/32"
8M-6UAD	1/2"	3/8"	111/2"
8M-8UAD	1/2"	1/2"	19/16"
8M-12UAD	1/2"	3/4"	15/8"
12M-8UAD	3/4"	1/2"	19/16"
12M-12UAD	3/4"	3/4"	15/8"
12M-16UAD	3/4"	1"	123/32"
16M-12UAD	1"	3/4"	17/8"
16M-16UAD	1"	1"	129/32"
16M-20UAD	1"	11/4"	2"
20M-20UAD	11/4"	11/4"	21/32"
20M-24UAD	11/4"	11/2"	21/16"
24M-24UAD	11/2"	11/2"	23/32"
32M-32UAD	2"	2"	29/32"

M-UAD MALE UNION SWIVEL ADAPTER MALE PIPE TO FEMALE NPSM SWIVEL



F-UAD • Female Union Swivel Adapter

Part No.	Female Pipe Thread	Female Swivel Thread	Deduct From Assembly O.A.L.
2F-2UAD	1/8"	1/8"	3/4"
4F-4UAD	1/4"	1/4"	13/16"
6F-4UAD	3/8"	1/4"	17/32"
6F-6UAD	3/8"	3/8"	17/32"
8F-4UAD	1/2"	1/4"	15/16"
8F-6UAD	1/2"	3/8"	111/32"
8F-8UAD	1/2"	1/2"	113/32"
12F-12UAD	3/4"	3/4"	19/16"
16F-12UAD	1"	3/4"	125/32"
16F-16UAD	1"	1"	115/16"
20F-20UAD	11/4"	11/4"	115/16"
24F-24UAD	11/2"	11/2"	115/16"
32F-32UAD	2"	2"	23/8"

F-UAD FEMALE UNION SWIVEL ADAPTER FEMALE PIPE TO FEMALE NPSM SWIVEL



ME-UAD • Male Union Elbow Swivel Adapter

Part No.	Male Pipe Thread	Female Swivel Thread	Deduct From Assembly O.A.L.
2ME-2UAD	1/8"	1/8"	17/32"
2ME-4UAD	1/8"	1/4"	11/16"
4ME-4UAD	1/4"	1/4"	3/4"
4ME-6UAD	1/4"	3/8"	7/8"
6ME-4UAD	3/8"	1/4"	7/8"
6ME-6UAD	3/8"	3/8"	7/8"
6ME-8UAD	3/8"	1/2"	15/16"
8ME-4UAD	1/2"	1/4"	29/32"
8ME-6UAD	1/2"	3/8"	15/16"
8ME-8UAD	1/2"	1/2"	15/16"
8ME-12UAD	1/2"	3/4"	13/16"
12ME-6UAD	3/4"	3/8"	11/32"
12ME-8UAD	3/4"	1/2"	11/16"

ME-UAD MALE UNION ELBOW SWIVEL ADAPTER MALE PIPE TO FEMALE NPSM SWIVEL



Continued on next page

ADAPTERS

TAPERED PIPE THREAD

Continued from previous page

ME-UAD
MALE UNION ELBOW SWIVEL ADAPTER
MALE PIPE TO FEMALE NPSM SWIVEL



ME-UAD • Male Union Elbow Swivel Adapter

Part No.	Male Pipe Thread	Female Swivel Thread	Deduct From Assembly O.A.L.
12ME-12UAD	3/4"	3/4"	13/16"
16ME-8UAD	1"	1/2"	11/8"
16ME-12UAD	1"	3/4"	15/16"
16ME-16UAD	1"	1"	15/16"
16ME-20UAD	1"	1 1/4"	1 1/2"
20ME-20UAD	1 1/4"	1 1/4"	1 1/2"
24ME-20UAD	1 1/2"	1 1/4"	15/8"
24ME-24UAD	1 1/2"	1 1/2"	15/8"
32ME-32UAD	2"	2"	2"

FE-UAD
FEMALE UNION ELBOW SWIVEL ADAPTER
FEMALE PIPE TO FEMALE NPSM SWIVEL



FE-UAD • Female Union Elbow Swivel Adapter

Part No.	Female Pipe Thread	Female Swivel Thread	Deduct From Assembly O.A.L.
2FE-2UAD	1/8"	1/8"	17/32"
4FE-4UAD	1/4"	1/4"	3/4"
6FE-6UAD	3/8"	3/8"	7/8"
8FE-8UAD	1/2"	1/2"	15/16"
12FE-12UAD	3/4"	3/4"	13/16"
16FE-16UAD	1"	1"	15/16"
20FE-20UAD	1 1/4"	1 1/4"	1 1/2"
24FE-24UAD	1 1/2"	1 1/2"	15/8"

SM-UAD
S.A.E. STRAIGHT THREAD MALE UNION ADAPTER
MALE S.A.E. THREAD TO FEMALE NPSM SWIVEL



SM-UAD • S.A.E. Straight Thread Male

Part No.	S.A.E. Straight Thread	Female Swivel Thread	Deduct From Assembly O.A.L.
4SM-4UAD	7/16"-20	1/4"	1"
5SM-4UAD	1/2"-20	1/4"	1"
6SM-4UAD	9/16"-18	1/4"	1 1/32"
6SM-6UAD	9/16"-18	3/8"	13/32"
6SM-8UAD	9/16"-18	1/2"	1 1/4"
8SM-4UAD	3/4"-16	1/4"	13/32"
8SM-6UAD	3/4"-16	3/8"	1 1/8"
8SM-8UAD	3/4"-16	1/2"	1 1/4"
8SM-12UAD	3/4"-16	3/4"	13/8"
10SM-6UAD	7/8"-14	3/8"	1 1/8"
10SM-8UAD	7/8"-14	1/2"	15/16"
10SM-12UAD	7/8"-14	3/4"	13/8"
12SM-8UAD	1 1/6"-12	1/2"	1 13/32"
12SM-12UAD	1 1/16"-12	3/4"	1 15/32"
14SM-12UAD	1 3/16"-12	3/4"	1 1/2"
16SM-16UAD	1 3/16"-12	1"	1 1/2"
20SM-16UAD	15/8"-12	1"	1 17/32"
20SM-20UAD	15/8"-12	1 1/4"	1 17/32"
24SM-24UAD	1 7/8"-12	1 1/2"	1 11/16"

ADAPTERS

T A P E R E D P I P E T H R E A D

SME-UAD • S.A.E. Straight Thread Male Union Elbow

Part No.	S.A.E. Straight Thread	Female Swivel Thread	Deduct From Assembly A.O.L.
4SME-4UAD	7/16"-20	1/4"	3/4"
6SME-4UAD	9/16"-18	1/4"	3/4"
6SME-6UAD	9/16"-18	3/8"	7/8"
6SME-8UAD	9/16"-18	1/2"	15/16"
8SME-6UAD	3/4"-16	3/8"	7/8"
8SME-8UAD	3/4"-16	1/2"	15/16"
8SME-12UAD	3/4"-16	3/4"	13/16"
10SME-6UAD	7/8"-14	3/8"	29/32"
10SME-8UAD	7/8"-14	1/2"	15/16"
10SME-12UAD	7/8"-14	3/4"	13/16"
12SME-8UAD	1 1/16"-12	1/2"	1"
12SME-12UAD	1 1/16"-12	3/4"	13/16"
14SME-12UAD	1 3/16"-12	3/4"	13/16"
16SME-16UAD	1 5/16"-12	1"	1 5/16"
16SME-12UAD	1 5/16"-12	3/4"	1 5/16"
20SME-20UAD	1 5/8"-12	1 1/4"	1 1/2"
20SME-12UAD	1 5/8"-12	3/4"	1 1/2"
24SME-24UAD	1 7/8"-12	1 1/2"	1 11/16"

SME-UAD
S.A.E. STRAIGHT THREAD MALE UNION ELBOW SWIVEL ADAPTER
MALE S.A.E. THREAD TO FEMALE NPSM SWIVEL



MT-UAD • Male Union Tee Swivel Adapter

Part No.	Male Pipe Thread	Female Swivel Thread	Deduct From Assembly A.O.L.
2MT-2UAD	1/8"	1/8"	17/32"
4MT-4UAD	1/4"	1/4"	3/4"
6MT-6UAD	3/8"	3/8"	7/8"
8MT-8UAD	1/2"	1/2"	15/16"
12MT-12UAD	3/4"	3/4"	13/16"
16MT-16UAD	1"	1"	1 5/16"
20MT-20UAD	1 1/4"	1 1/4"	1 1/2"

MT-UAD
MALE UNION TEE SWIVEL ADAPTER
MALE PIPE BRANCH, FEMALE NPSM SWIVELS ON RUN



MEX-UAD • Male 45° Union Elbow Swivel Adapter

Part No.	Male Pipe Thread	Female Swivel Thread	Ded't From Ass'y O.A. Length
2MEX-2UAD	1/8"	1/8"	7/16"
4MEX-4UAD	1/4"	1/4"	21/32"
6MEX-6UAD	3/8"	3/8"	11/16"
8MEX-8UAD	1/2"	1/2"	25/32"
8MEX-6UAD	1/2"	3/8"	25/32"
12MEX-12UAD	3/4"	3/4"	31/32"
12MEX-8UAD	3/4"	1/2"	7/8"
16MEX-16UAD	1"	1"	1 1/16"
16MEX-12UAD	1"	3/4"	1 1/32"
20MEX-20UAD	1 1/4"	1 1/4"	1 1/8"
24MEX-24UAD	1 1/2"	1 1/2"	1 7/32"

MEX-UAD
MALE 45° UNION ELBOW SWIVEL ADAPTER
MALE PIPE TO FEMALE NPSM SWIVEL



ADAPTERS

T A P E R E D P I P E T H R E A D

FT-UAD

**FEMALE UNION TEE SWIVEL ADAPTER
FEMALE PIPE TO FEMALE NPSM SWIVEL**

**FT-UAD • Female Union Tee Swivel Adapter**

Part No.	Female Pipe Thread	Female Swivel Thread	Deduct From Assembly O.A.L.
4FT-4UAD	1/4"	1/4"	3/4"
6FT-6UAD	3/8"	3/8"	7/8"
8FT-8UAD	1/2"	1/2"	15/16"
12FT-12UAD	3/4"	3/4"	13/16"
16FT-16UAD	1"	1"	15/16"

T-UAD

**FEMALE UNION TEE SWIVEL ADAPTER
FEMALE PIPE BRANCH,
FEMALE NPSM SWIVELS ON RUN**

**T-UAD • Female Union Tee Swivel Adapter**

Part No.	Female Pipe Thread	Female Swivel Thread	Deduct From Assembly O.A.L.
2T-2UAD	1/8"	5/8"	17/32"
4T-4UAD	1/4"	7/8"	3/4"
6T-6UAD	3/8"	15/16"	7/8"
8T-8UAD	1/2"	1 1/16"	15/16"
12T-12UAD	3/4"	15/16"	13/16"
16T-16UAD	1"	1 15/32"	15/16"

FEX-UAD

**45° UNION ELBOW SWIVEL ADAPTER
FEMALE PIPE TO FEMALE NPSM SWIVEL**

**Fex-UAD • Female 45° Union Elbow Swivel Adapter**

Part No.	Female Pipe Thread	Female Swivel Thread	Deduct From Assembly O.A.L.
4FEX-4UAD	1/4"	1/4"	21/32"
6FEX-6UAD	3/8"	3/8"	11/16"
8FEX-8UAD	1/2"	1/2"	25/32"
12FEX-12UAD	3/4"	3/4"	31/32"
16FEX-16UAD	1"	1"	11/16"

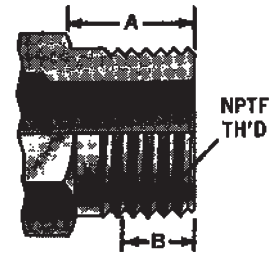
AVAILABLE FITTING ENDS-TYPES

(SPECIFICATIONS & IDENTIFICATION)

Male Pipe Thread End

Size	Thread NPTF	"A"	"B" Min. Full Thread
2	1/8"	25/64"	5/16"
4	1/4"	9/16"	15/32"
6	3/8"	9/16"	1/2"
8	1/2"	3/4"	21/32"
12	3/4"	3/4"	21/32"
16	1"	15/16"	25/32"
20	1 1/4"	31/32"	13/16"
24	1 1/2"	1"	13/16"
32	2"	1 1/32"	13/16"

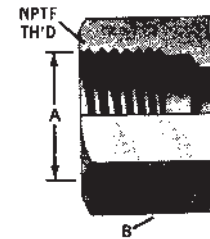
MALE PIPE THREAD END (DRY SEAL)



Female Pipe Thread End

Size	Thread NPTF	"A"	"B" Hex Size (Str. Connectors)	"B" Dia. (Elbows, Tees, Crosses)
2	1/8"	13/32"	9/16", 5/8"	5/8"
4	1/4"	35/64"	3/4"	7/8"
6	3/8"	43/64"	7/8"	1"
8	1/2"	27/32"	1 1/8"	1 1/8"
12	3/4"	13/64"	1 3/8"	1 3/8"
16	1"	15/16"	1 5/8"	1 3/4"
20	1 1/4"	121/32"	2"	2 1/8"
24	1 1/2"	129/32"	2 3/8"	2 3/8"
32	2"	2 3/8"	3"	3"

FEMALE PIPE THREAD END (DRY SEAL)



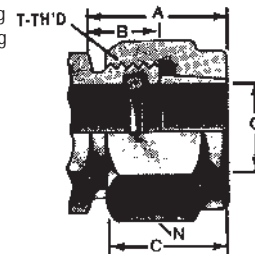
Lenz "O-Ring Seal" End

Size	T Thread	"A"	"B"	"C"	"N" Hex	"O" Bore
2	3/8"-24	9/16"	9/32"	15/16"	1/2"	1/8"
4	1/2"-20	23/32"	13/32"	41/64"	5/8"	1/4"
5	9/16"-18	23/32"	13/32"	41/64"	11/16"	5/16"
6	5/8"-18	25/32"	15/32"	11/16"	3/4"	3/8"
8	7/8"-14	31/32"	17/32"	29/32"	1"	1/2"
10	1"-14	13/32"	19/32"	31/32"	1 1/8"	5/8"
12	1 1/8"-12	17/32"	11/16"	13/32"	1 1/4"	3/4"
14	1 1/4"-12	11/4"	11/16"	11/8"	1 3/8"	7/8"
16	1 1/2"-12	1 13/32"	3/4"	17/32"	1 5/8"	1"
20	1 3/4"-12	121/32"	7/8"	17/16"	2"	1 1/4"
24	2"-12	125/32"	7/8"	15/8"	2 1/4"	1 1/2"
32	2 5/8"-12	2 5/32"	1"	2 1/16"	3"	2"

LENZ "O-RING SEAL" END

Tube End with "O-Ring" seal, and tapered split-ring sleeve and nut for gripping the tubing.

Includes nut, split ring, O-Ring and back-up washer.

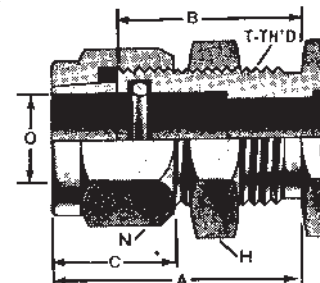


Lenz "O-Ring Seal" Bulkhead End

Size	T Thread	"A"	"B"	"C"	"H" Hex	"N" Hex	"O" Bore
4	1/2"-20	115/32"	15/32"	41/64"	3/4"	5/8"	1/4"
5	9/16"-18	115/32"	1 5/32"	41/64"	13/16"	11/16"	5/16"
6	5/8"-18	19/16"	1 1/4"	11/16"	7/8"	3/4"	3/8"
8	7/8"-14	125/32"	1 11/32"	29/32"	1 1/8"	1"	1/2"
10	1"-14	131/32"	1 15/32"	31/32"	1 1/4"	1 1/8"	5/8"
12	1 1/8"-12	2 1/8"	1 19/32"	13/32"	1 3/8"	1 1/4"	3/4"
14	1 1/4"-12	2 5/32"	1 19/32"	1 1/8"	1 1/2"	1 3/8"	7/8"
16	1 1/2"-12	2 5/16"	1 21/32"	17/32"	1 3/4"	1 5/8"	1"
20	1 3/4"-12	2 9/16"	1 25/32"	1 7/16"	2"	2"	1 1/4"
24	2"-12	2 11/16"	1 25/32"	1 5/8"	2 1/4"	2 1/4"	1 1/2"
32	2 5/8"-12	3 3/32"	1 15/16"	2 1/16"	3"	2 7/8"	2"

LENZ "O-RING SEAL" BULKHEAD END

Same features as Lenz "O-Ring Seal" except has provisions for passing through a Bulkhead and is held in Bulkhead by a lock nut. (1/2" Maximum Bulkhead Thickness.)

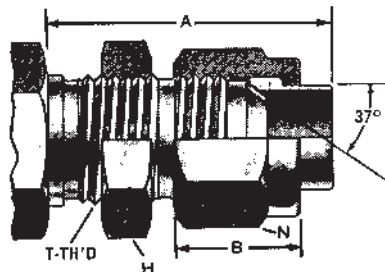


AVAILABLE FITTING ENDS-TYPES

(SPECIFICATIONS & IDENTIFICATIONS)

J.I.C. 37° FLARE MALE BULKHEAD END

Has same uses as J.I.C. 37° Flare Male except has provisions for passing through a Bulkhead and is held in Bulkhead with a Lock Nut. (3/8" Maximum Bulkhead Thickness.)



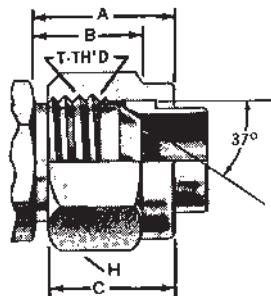
J.I.C. 37° • Flare Male Bulkhead End

Size	Thread	"A" Str. Fttg.	"B"	"H" Hex	"N" Hex
4	7/16"-20	15/8"	5/8"	11/16"	9/16"
5	1/2"-20	15/8"	11/16"	3/4"	5/8"
6	9/16"-18	123/32"	23/32"	13/16"	11/16"
8	3/4"-16	2"	27/32"	1"	7/8"
10	7/8"-14	2 1/4"	31/32"	1 1/8"	1"
12	1 1/16"-12	2 3/8"	1 1/32"	1 3/8"	1 1/4"
14	1 3/16"-12	2 1/2"	1 3/32"	1 1/2"	1 3/8"
16	1 5/16"-12	2 9/16"	1 1/8"	1 5/8"	1 1/2"
20	1 5/8"-12	2 11/16"	1 7/32"	1 7/8"	2"
24	1 7/8"-12	2 15/16"	1 13/32"	2 1/8"	2 1/4"
32	2 1/2"-12	3 1/4"	1 3/4"	2 3/4"	2 7/8"

J.I.C. 37° FLARE MALE END

May Be Used With 3205 Tube Nut, 3165 Tube Sleeve, 2205 Tube Nut, 2205-S Tube Nut or 2205-C Cap.

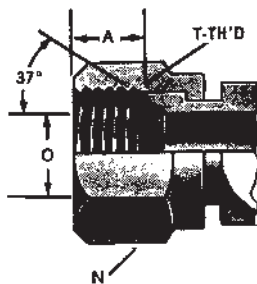
May also be joined directly to the Female J.I.C. 37° Swivel Fitting as an Adapter.



J.I.C. 37° • Flare Male End

Size	Thread	"A"	"B"	"C"	"H" Hex
2	5/16"-24	3/4"	7/16"	17/32"	3/8"
3	3/8"-24	25/32"	15/32"	19/32"	7/16"
4	7/16"-20	15/16"	9/16"	5/8"	9/16"
5	1/2"-20	31/32"	9/16"	11/16"	5/8"
6	9/16"-18	11/32"	9/16"	23/32"	11/16"
8	3/4"-16	13/16"	21/32"	27/32"	7/8"
10	7/8"-14	1 13/32"	3/4"	31/32"	1"
12	1 1/16"-12	1 15/32"	7/8"	1 1/32"	1 1/4"
14	1 3/16"-12	1 5/8"	29/32"	1 3/32"	1 3/8"
16	1 5/16"-12	1 11/16"	29/32"	1 1/8"	1 1/2"
20	1 5/8"-12	1 13/16"	31/32"	1 7/32"	2"
24	1 7/8"-12	2 3/16"	1 3/32"	1 13/32"	2 1/4"
32	2 1/2"-12	2 15/32"	1 3/4"	1 11/32"	2 7/8"

FEMALE J.I.C. 37° SWIVEL END



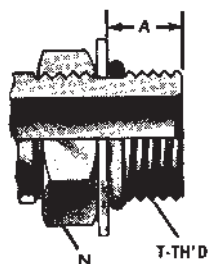
Used With Male J.I.C. 37° Fittings

Female J.I.C. • 37° Swivel End

Size	Thread	"A"	"N" Hex	"O" Bore
4	7/16"-20	11/32"	9/16"	11/64"
5	1/2"-20	3/8"	5/8"	15/64"
6	9/16"-18	3/8"	11/16"	19/64"
8	3/4"-16	27/64"	7/8"	25/64"
10	7/8"-14	1/2"	1"	31/64"
12	1 1/16"-12	9/16"	1 1/4"	39/64"
14	1 3/16"-12	37/64"	1 3/8"	23/32"
16	1 5/16"-12	19/32"	1 1/2"	27/32"
20	1 5/8"-12	5/8"	2"	15/64"
24	1 7/8"-12	47/64"	2 1/4"	15/16"
32	2 1/2"-12	15/16"	2 7/8"	1 25/32"

S.A.E. ADJUSTABLE STRAIGHT THREAD "O-RING" TYPE END (Elbows & Tees)

For same use as S.A.E. Straight Thread "O-Ring" Type but provides for 360° positioning for Tees and Elbows with Lock Nut. May also be used with AND 10050 Port.



S.A.E. Adjustable Straight Thread "O-Ring" Type End

Size	Thread	"A"	"N" Hex
2	5/16"-24	19/64"	7/16"
4	7/16"-20	23/64"	9/16"
5	1/2"-20	23/64"	5/8"
6	9/16"-18	25/64"	11/16"
8	3/4"-16	7/16"	7/8"
10	7/8"-14	1/2"	1"
12	1 1/16"-12	19/32"	1 1/4"
14	1 3/16"-12	19/32"	1 3/8"
16	1 5/16"-12	19/32"	1 1/2"
20	1 5/8"-12	19/32"	1 7/8"
24	1 7/8"-12	19/32"	2 1/8"
32	2 1/2"-12	19/32"	2 3/4"

AVAILABLE FITTING ENDS-TYPES

TAPERED PIPE THREAD

S.A.E. Adjustable Straight Thread "O-Ring" Type End

Size	T Thread	"A"	"H" Hex
2	5/16"-24	19/64"	7/16"
4	7/16"-20	23/64"	9/16"
5	1/2"-20	23/64"	5/8"
6	9/16"-18	25/64"	11/16"
8	3/4"-16	7/16"	7/8"
10	7/8"-14	1/2"	1"
12	1 1/16"-12	19/32"	1 1/4"
14	1 3/16"-12	19/32"	1 3/8"
16	1 5/16"-12	19/32"	1 1/2"
20	1 5/8"-12	19/32"	1 7/8"
24	1 7/8"-12	19/32"	2 1/8"
32	2 1/2"-12	19/32"	2 7/8"

S.A.E. STRAIGHT THREAD "O-RING" TYPE END (Connectors)



For Use With S.A.E. Internal Thread O-Ring Boss

SPECIFICATIONS

HYDRAULIC ACCESSORIES

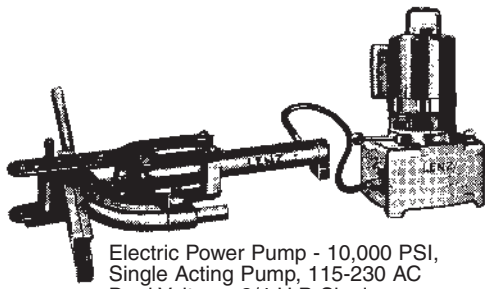
(SPECIFICATIONS & IDENTIFICATIONS)

Part No.	Tube O.D.	Center Radius	Wt. LBS.
80-12	3/4"	3 7/16"	5 1/2
80-14	7/8"	3 7/16"	5 1/2
80-16	1"	4 5/16"	6 1/2
80-20	1 1/4"	5 5/8"	7 1/2
80-24	1 1/2"	7 3/16"	16
80-32	2"	8"	16 3/4

NO. 1880

HYDRAULIC TUBE BENDERS Hand or Motor Operated

The Lenz tube bender is designed for either hand pump or electric or gasoline motor pump. It is extremely easy to handle and operate. Illustration below shows portable pump. . . may be had with gasoline or electric motor.

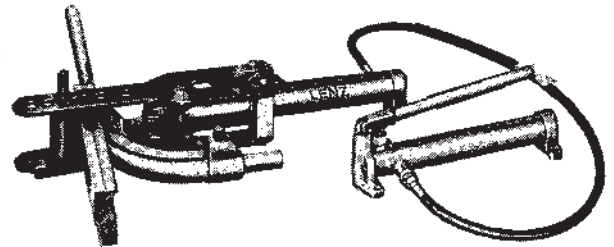


Electric Power Pump - 10,000 PSI, Single Acting Pump, 115-230 AC Dual Voltage, 3/4 H.P. Single Phase, 64 lbs.

Attachments for the Lenz 1880 Hydraulic Tube Bender are shown as Part Numbers in the table above and consist of Radius Shoe, Follow Bar and Saddle.

Illustration above shows hand operated pump.

"Warning Do Not Use Lenz Bender to Bend Aluminum EMT"



NO. 412

LENZ TEFLON SEALING TAPE For Sealing Pipe Joints

- 1/2 inch x 520"
- Lasting, Positive Seal
- Crush-proof Spool
- Easier to Handle
- Will Not Unravel
- -250° to + 500° F. Range

Pure Teflon. Use on steam, water acid, alkali, chemical, fuel, corrosives, solvent, ketone, refrigerant gas, plastic, glass, stainless steel, aluminum, brass, and ceramic threads.



ACCESSORIES/TOOLS

TAPERED PIPE THREAD

MODEL FT 573 / MODEL FT 673 Flaring Tools Integrated unit ... parts can't get lost



Model FT 573 / Model FT 673

Model	For Flares O.D.
FT-573	1/2" thru 1"
FT-673	3/16" to 5/8"

This advanced design Lenz Flaring Tool gives absolutely smooth, uniform flares every time, with a minimum amount of effort and faster, too. The large feed screw handle turns easily. The precision ground hardened steel flaring cone, eccentrically mounted in precision bearings, produces a rolling action for even metal flow which provides uniform flare walls without galling. Feed releases automatically when flare is fully formed.

NO. 1763 LENZ HAND TUBE BENDERS

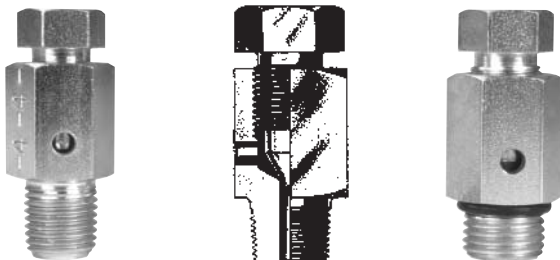


No. 1763 • Lenz Hand Tube Benders

Part Number	Size O.D. of Tubing	Center Radius
1763-4	1/4"	9/16"
1763-5	5/16"	11/16"
1763-6	3/8"	15/16"
1763-8	1/2"	1 1/2"
1763-10	5/8"	3"
1763-12	3/4"	3 1/4"
1763-14	7/8"	3 3/4"

These fine quality Lenz Hand Tube Benders make quick and accurate bends that are smooth and without kinking. They work with steel, aluminum, copper, or stainless tubing. This is one of the most useful, time-saving tools you can own. Sizes 10, 12 & 14 are geared ratchet models.

ABV LENZ AIR BLEEDER VALVES Tapered Pipe Thread S.A.E. Straight Thread



Tapered Pipe Thread

S.A.E. Straight Thread

Note: When Ordering Lenz Air Bleeder Valves in Stainless Steel Add -SS.
Example: 4ABV-SS.

ABV Lenz Air Bleeder Valves

Part No.	Male Pipe Thread	S.A.E. Straight thread	Body Hex	Overall Length
2ABV	1/8"	—	11/16"	1 11/16"
4ABV	1/4"	—	11/16"	1 29/32"
6ABV	3/8"	—	11/16"	1 29/32"
8ABV	1/2"	—	7/8"	1 7/8"
A-6ABV	—	9/16"-18	11/16"	1 11/16"

The Lenz Air Bleeder Valve is an exclusive design, extremely compact and consisting of only two metal parts. No packings are employed. The fact that it is necessary to eliminate all air from lines and equipment in order to maintain maximum operating efficiency makes this valve an important and vital part of the hydraulic system. It needs only to be installed at the highest point in the circuit where the air accumulates. It is especially needed when starting a hydraulic system. Easily installed.

ACCESSORIES/TOOLS

(SPECIFICATIONS & IDENTIFICATION)

Now 380 rings in the 30 most popular sizes ranging from 006 to 327 (70 shore A hardness) is ready for use . . . instantly. Includes all popular Lenz O-Ring seal tube fitting sizes.

- 25% more rings than any other kit
 - Special BUNA-N compound for oil and fuel resistance - suitable for temperatures from -40 to +300 F.
 - Popular ring sizes fit valves, pumps, small cylinders, etc.
 - Color coded storage posts provide instant size identification
 - Built-in gauges automatically indicate size of rings for replacement
- Molded into the O-Ring Kit itself are accurately calibrated cross section slots. These color coded slots assure precision measurement of rings to be replaced.

INDISPENSABLE FOR SERVICING
HYDRAULIC SYSTEMS & COMPONENTS.

NEW! LENZ O-RING KIT (FOR MAINTENANCE)
Conforming dimensionally to AS-568A Universal Series as well as the AN 6227 sizes.



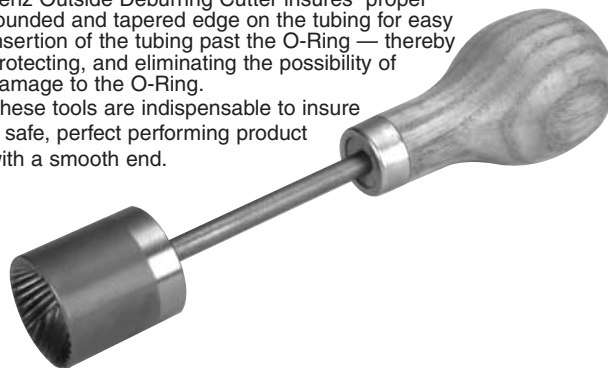
ODC • Outside Deburring Cutters

Part No.	Tube O.D.
ODC-4	1/4"
ODC-5	5/16"
ODC-6	3/8"
ODC-8	1/2"
ODC-10	5/8"
ODC-12	3/4"
OCD-14	7/8"
ODC-16	1"
ODC-20	1 1/4"
ODC-24	1 1/2"
ODC-32	2"

ODC OUTSIDE DEBURRING CUTTERS

Lenz Outside Deburring Cutter insures proper rounded and tapered edge on the tubing for easy insertion of the tubing past the O-Ring — thereby protecting, and eliminating the possibility of damage to the O-Ring.

These tools are indispensable to insure a safe, perfect performing product with a smooth end.



Has detachable Handle to allow use of Cutter in drill chucks, etc.

No. 216 & No. 834

Part No.	For Tube O.D.
216	1/8" to 1" inclusive
834	1/2" to 2 1/8" inclusive

Rugged, adjustable cutting tool for producing clean, square ends on steel, stainless steel, and softer metal tubing. Ball handle feeds cutting wheel with even pressure as cutter is rotated around tube. Replacement cutter wheels available.

NO. 216 & NO. 834 LENZ TUBE CUTTERS



TUBING

(SPECIFICATIONS & IDENTIFICATION)

LENZ HYDRAULIC STEEL TUBING

Dead Soft • Fully Annealed • Bright Finish

Superior grade tubing selected for excellence of bending and flaring. The formula given below is determined with the flow calculated to give nominal pressure drop through tubing having the diameter and wall thickness as indicated in the table to left. This flow is based on a velocity of 15 feet per second and fluids having a maximum viscosity of 315 S.S.U.

Formula

$$GPM = \frac{\pi D^2 \times 15}{1.283} = 36.69 \times D^2$$

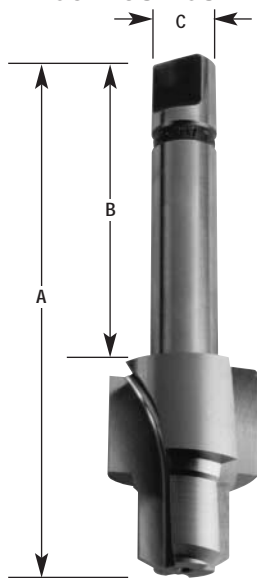
*D = Inside Diameter of Tubing

Furnished in 12 Ft. Lengths-Longer Lengths On Request.
 **Safety Factor of 5 means that the tubing will burst at 5 times the working pressure indicated.

Lenz Hydraulic Steel Tubing

Size No.	O.D.	I.D.	Wall Thickness	G.P.M. Flow	Working Pressure
4.035	1/4"	.180	.035	1.2	2800
4.049	1/4"	.152	.049	.85	3920
5.035	5/16"	.242	.035	2.15	2240
5.049	5/16"	.214	.049	1.68	3136
6.035	3/8"	.305	.035	3.45	1867
6.049	3/8"	.277	.049	2.82	2613
6.065	3/8"	.245	.065	2.2	3467
8.035	1/2"	.430	.035	6.79	1400
8.049	1/2"	.402	.049	5.92	1960
8.065	1/2"	.370	.065	5.03	2600
10.049	5/8"	.527	.049	10.2	1568
10.065	5/8"	.495	.065	9.0	2080
10.095	5/8"	.435	.095	6.94	3040
12.049	3/4"	.652	.049	15.6	1307
12.065	3/4"	.620	.065	14.1	1733
12.095	3/4"	.560	.095	11.5	2533
12.109	3/4"	.532	.109	10.4	2907
14.049	7/8"	.777	.049	22.1	1120
14.065	7/8"	.745	.065	20.4	1486
14.095	7/8"	.685	.095	17.2	2171
16.065	1"	.870	.065	27.8	1300
16.095	1"	.810	.095	24.1	1900
16.120	1"	.760	.120	21.2	2400
20.065	1 1/4"	1.120	.065	46.0	1040
20.095	1 1/4"	1.060	.095	41.2	1520
20.120	1 1/4"	1.010	.120	37.4	1920
24.095	1 1/2"	1.310	.095	63.0	1267
24.120	1 1/2"	1.260	.120	58.1	1600

PCC LENZ S.A.E. PORT CONTOUR CUTTERS



PCT LENZ PRECISION S.A.E. PORT THREAD TAPS



These tools have three flutes which form the standard internal O-Ring Boss for straight thread tube fittings. Standard in high-speed steel. Carbide tipped available on special order. Four flute cutters available on special order.

PCC-LENZ S.A.E. Port Contour Cutter

Part No.	Tube O.D.	Thread Size	"A" Overall Length	"B" Shank Length	"C" Shank Dia.
PCC-2	1/8"	5/16"-24	3 ²³ /32"	2 ¹¹ /64"	.500
PCC-4	1/4"	7/16"-20	3 ²⁵ /32"	2 ⁵ /32"	.500
PCC-5	5/16"	1/2"-20	3 ²⁷ /32"	2 ⁷ /32"	.500
PCC-6	3/8"	9/16"-18	3 ²⁹ /32"	2 ⁵ /64"	.500
PCC-8	1/2"	3/4"-16	3 ³¹ /32"	2 ¹ /16"	.500
PCC-10	5/8"	7/8"-14	3 ³¹ /32"	1 ⁵³ /64"	.750
PCC-12	3/4"	1 1/16"-12	4 1/8"	1 ⁵⁵ /64"	.750
PCC-14	7/8"	1 3/16"-12	4 1/8"	1 ²⁷ /32"	.750
PCC-16	1"	1 5/16"-12	4 1/8"	1 ²⁷ /32"	.750
PCC-20	1 1/4"	1 5/8"-12	4 1/8"	1 ⁵³ /64"	1.000
PCC-24	1 1/2"	1 7/8"-12	4 1/8"	1 ¹³ /16"	1.000
PCC-32	2"	2 1/2"-12	4 1/4"	1 ²⁹ /32"	1.000

PCT • LENZ Precision S.A.E. Port Thread Taps

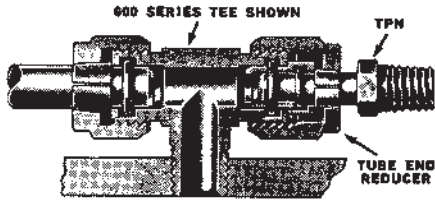
Part Number	Tube O.D.	Thread Size
PCT-2	1/8"	5/16"-24
PCT-4	1/4"	7/16"-20
PCT-5	5/16"	1/2"-20
PCT-6	3/8"	9/16"-18
PCT-8	1/2"	3/4"-16
PCT-10	5/8"	7/8"-14
PCT-12	3/4"	1 1/16"-12
PCT-14	7/8"	1 3/16"-12
PCT-16	1"	1 5/16"-12
PCT-20	1 1/4"	1 5/8"-12
PCT-24	1 1/2"	1 7/8"-12
PCT-32	2"	2 1/2"-12

SPECIAL USES

FOR "O-RING SEAL FITTINGS

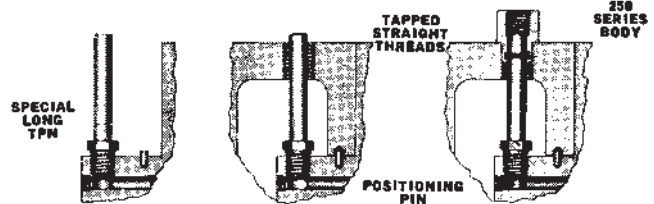
SPECIAL USES

TPN USED TO CONVERT STANDARD TEE TO SPECIAL TEE



TPN's, TFN's or TAN's may be used with a tee or cross to change an outlet from tube to male, eliminating a more expensive special fitting. By using tube end reducers, smaller TPN's or TAN's may be fitted. See pages 14 and 15 for reducers. TPN's, TFN's & TAN's.

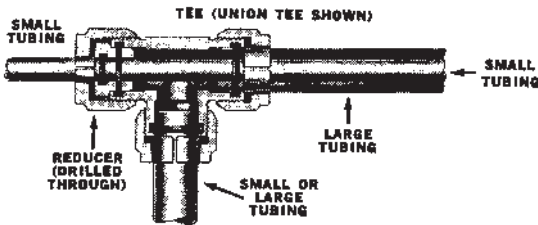
FOR EASE OF ASSEMBLY & DISASSEMBLY



Step 1-TPN is tightened into position. Step 2-St. Th'd casting is dropped into position. Step 3-Female connector body is screwed into St. Th'd, at the same time sealing on the stem of the TPN.

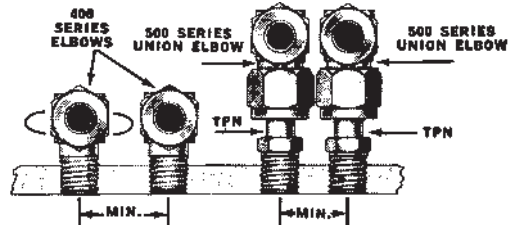
The three steps show the unusual use of a special long TPN and female connector (250 series). Lenz manufactures in lengths up to 8 inches over standard length. See page 15 for TPN information.

CONCENTRIC LINE FOR TWO FLUIDS

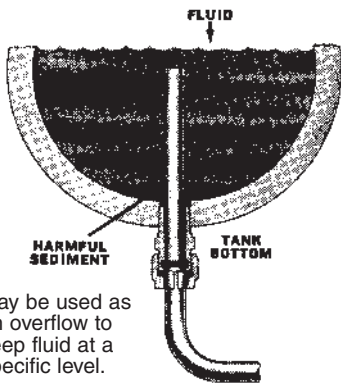


Tees having a reducer on one end can serve as ends of a cooling jacket fabricated from hydraulic tubing . . . can also be used for concentric line for two fluids. The only modification needed is the removal of the tube stop in the reducer with a drill. See page 14 for Reducers.

OUTLETS TOO CLOSE TO PERMIT SCREWING ON OF MALE ELBOWS



Where outlets are too close to permit screwing male elbows (400 series) into ports, TPN's and union elbows (500 series) may permit installation. TAN's would similarly replace A400 series straight thread male elbows, see page 15.



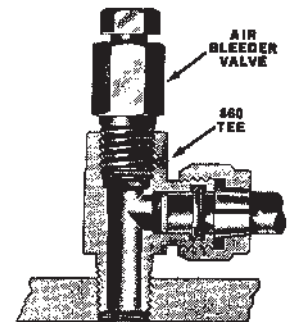
REMOVING FLUID FROM A POINT ABOVE TANK BOTTOM

Many of the male connectors (100 series) and female connectors (250 series) allow tubing to be inserted through the fitting. Drawing shows how fluid may be removed from a point above tank bottom, using a 100 series male connector. See pages 2 & 3 for connectors.

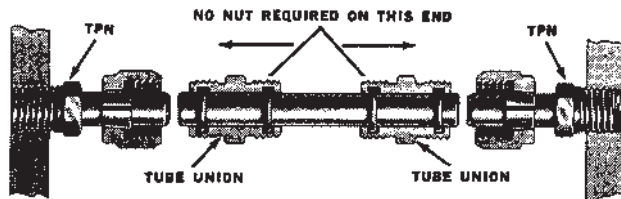
May be used as an overflow to keep fluid at a specific level.

TYPICAL INSTALLATION OF AN ABV BLEEDER VALVE AT THE HIGH POINT OF A HYDRAULIC SYSTEM

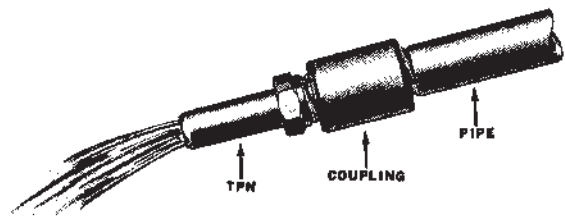
With the use of a 860 series tee the bleeder valve can quickly and easily be installed at the highest point where air accumulates in hydraulic circuits. See page 33 for Bleeder Valves and page 8 for 860 series Tees.



TPN'S USED WHERE A STRAIGHT LINE MUST BE REMOVED OCCASIONALLY WITHOUT DISTURBING PIPE THREADS



TPN USED AS A NOZZLE-SUCH AS DIRECTING COOLANT ONTO THE WORK IN AN AUTOMATIC SCREW MACHINE



LENZ

GLYCERIN-FILLED PRESSURE GAUGES

LENZ PRESSURE GAUGES are designed for pulsation..vibration.. shock..weather and corrosive environments. These Lenz pressure gauges are offered in the following dial sizes: 1 1/2", 2", 2 1/2" & 4". **Brass case, Stainless Steel case, all Stainless Steel, Abs plastic case or Black Steel case** with flange mounting or panel mountings available from stock.

Lenz also manufactures hydraulic tank accessories, filters, strainers, tube fittings, hydraulic adapters and hose fittings.



**“Another quality product,
Only from Lenz”**

For more information on the new
LENZ PRESSURE GAUGES,
ask for Catalog PG-111
write, phone or fax:

LENZ, Inc.

P.O. BOX 1044

Dayton, Ohio

45401-1044

3301 Klepinger Road

Dayton, Ohio 45406

Phone: (937) 277-9364

Fax: (937) 277-6516

Internet: <http://www.lenzinc.com>



HYDRAULIC TANK ACCESSORIES

LENZ MANUFACTURES a complete line of hydraulic tank accessories, that include a wide range of filler breathers, breather filters, tank covers, reservoir flanges, sight level gauges and fuel necks, available in many sizes and styles

Lenz also manufactures a complete line of hydraulic filters, strainers, pressure gauges, tube fittings, hydraulic adapters and hose fittings.



For more information on the LENZ HYDRAULIC TANK ACCESSORIES ask for Catalog No. TA-81, write, phone, or fax:

LENZ, Inc.
P.O. BOX 1044
Dayton, Ohio 45401-1044
3301 Klepinger Rd
Dayton, Ohio 45406
Phone: (937) 277-9364
FAX: (937) 277-6516
Internet: <http://www.lenzinc.com>

**“Another quality product,
Only from Lenz”**



LENZ

HOSE FITTINGS & ADAPTERS

LENZ MANUFACTURES A COMPLETE LINE OF 100R5 HOSE FITTINGS; 2-wire braid hose fittings for high pressure, along with several other special-industry hose fittings, making Lenz a full line hose & fitting manufacturer.

Lenz fittings meet or exceed J.I.C./S.A.E. standards, and are interchangeable with other standard hose fittings.

Lenz also manufactures every conceivable hydraulic adapter, the Lenz "O" Ring Seal Tube Fitting, Pressure Gauges, Hydraulic Reservoir Accessories, Strainers and Filters for the fluid power industry.



**“Another quality product,
Only from Lenz”**

For more information on LENZ HOSE FITTINGS & ADAPTERS ask for Catalog No. HP-401, or write, phone, or fax:

LENZ, Inc.

P.O. BOX 1044

Dayton, Ohio 45401-1044

3301 Klepinger Rd

Dayton, Ohio 45406

Phone: (937) 277-9364

FAX: (937) 277-6516

Internet: <http://www.lenzinc.com>



ADAPTERS & HOSE FITTINGS

ADAPTERS

LENZ MANUFACTURES a complete line of Hydraulic Adapters and Hose Fittings that meet or exceed J.I.C./S.A.E. standards.

Lenz also manufactures the Lenz "O" Ring Seal Tube Fitting, Pressure Gauges, Strainers, Filters and Hydraulic Reservoir Accessories for the fluid power industry.



**“Another quality product,
Only from Lenz”**

For more information on the LENZ ADAPTERS & HOSE FITTINGS ask for Catalog No. AD-90, write, phone, or fax:

LENZ, Inc.
P.O. BOX 1044
Dayton, Ohio 45401-1044
3301 Klepinger Rd
Dayton, Ohio 45406
Phone: (937) 277-9364
FAX: (937) 277-6516
Internet: <http://www.lenzinc.com>





FILTERS & STRAINERS

LENZ MANUFACTURES a complete filter and strainer line that includes a wide range of pressure, in-tank and spin on filters, sump strainers, tank mounted strainers, diffusers, for pressure, suction or return line applications. These filters and strainers are offered in sizes 1/2", 3/4", 1", 1 1/4", 1 1/2", 2", & 3".

Lenz is a full line manufacturer of hydraulic tank accessories, pressure gauges, strainers, filters, tube fittings, hydraulic adapters & hydraulic hose fittings for the fluid power industry.



**“Another quality product,
Only from LENZ”**

For more information on the **LENZ HYDRAULIC FILTERS AND STRAINERS**, Request Catalog SF-11A write, phone, or fax:

LENZ
P.O. BOX 1044
Dayton, Ohio 45401-1044
3301 Klepinger Road
Dayton, Ohio 45406
Phone: (937) 277-9364
FAX: (937) 277-6516
Internet: <http://www.lenzinc.com>



NOTES

NOTES

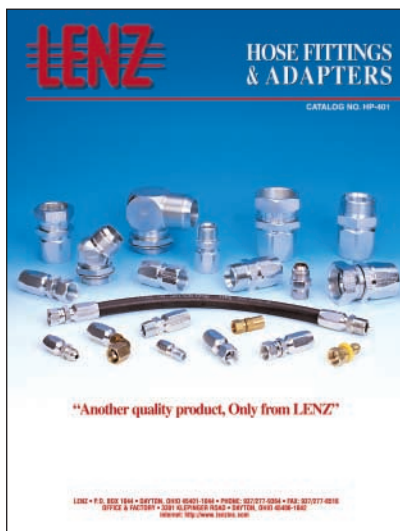
Request these other **LENZ** Catalogs



CATALOG PG-111
16 Pgs. Detailed information on Lenz Pressure Gauges.



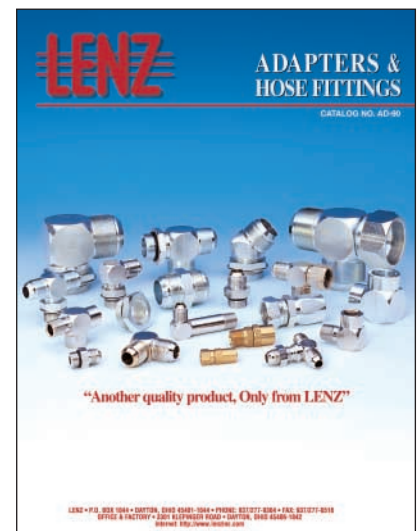
CATALOG TA-81
36 Pgs. Highly informative on Lenz Hydraulic Tank Reservoir Accessories.



CATALOG HP-401
56 Page. High & Medium Pressure Hose Fittings & Assemblies. Adapters, Flanges, Quick Disconnects & Accessories.



CATALOG SF-11A
24 Pgs. Detailed information on Lenz Hydraulic Strainers & Filters.



CATALOG AD-90
40 Pgs. Adapters, Pipe Fittings, Adapter Unions, J.I.C.-S.A.E. Tube Fittings, offered in Steel & Stainless Steel.